



MM[®] SHS Expansion Joint

Self-Healing Seismic Sealing System

SPECIALTY DATA
 MM Systems Corporation • 50 MM Way, Pendergrass, GA 30567 • 866.506.6929 • www.mm-usa.com

DESCRIPTION

SHS Series is vehicular and pedestrian rated design for wide seismic expansion joint openings. The integral seismic assembly is molded-in to the foam seal at the factory. A slide plate cover is attached via the seismic rotation dowel that allows for multi-directional seismic movement. Recessed styles allow the slide plate to remain flush with finished deck surface. Water tightness is achieved through a single monolithic foam seal design incorporating "self" expanding, healing, and sealing impregnation technologies. The seal is epoxy bonded to the concrete deck.

BASIC USE

SHS is a traffic bearing weather tight expansion joint for stadiums, parking structures and other open-air structures requiring seismic movement capability.

FEATURES

- Watertight self-expanding acrylic impregnated foam conforms to irregular openings virtually eliminating the risk of costly water damage.
- Monolithic seal with dual impregnation process provides integral "self" healing and sealing capability.
- Seismic Rotation Dowel facilitates zero tensile stress at epoxy bond lines and provides multi-directional seismic movement capability.
- Seismic seal provides equidistant centering of seismic assembly and slide plate cover.
- AASHTO HS-20 load carrying capability.
- Complies with ADA guidelines.

SPECIAL FEATURES

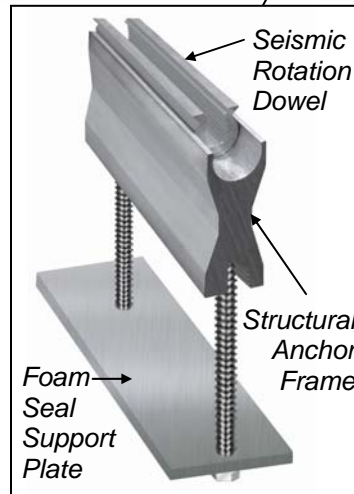
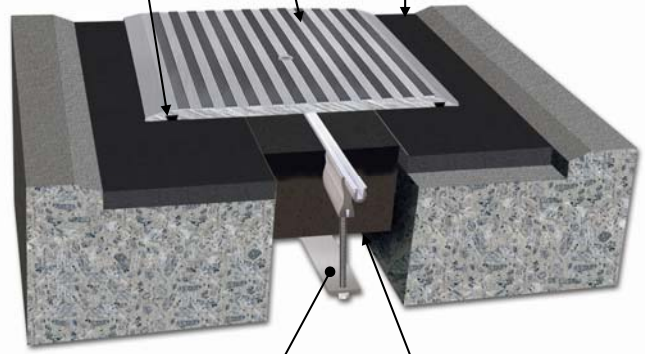
- Slide plate available in stainless steel, aluminum with impact/sound dampers and raised pattern surface or with dual hinged nosing pads.
- Fire Barriers - MM expansion joint systems available with 2 to 4 hr. fire protection ratings.

STORAGE

All materials should be stored off the ground in a cool, dry location 70-80°F (20-27°C) for a minimum of 24 hours prior to installation regardless of the temperature at installation site.

Load Bearing Aluminum Slide Plate (Raised Pattern Slip-Resistant Surface) Optional LokCrete[®] Leveling Bed (Impact Absorbing Elastomeric Concrete)

Waterstop & Impact Sound Dampers



SEISMIC ASSEMBLY

Self-Healing Monolithic Seal

- Single Seal Design with factory molded-in Seismic Assembly
- Integral "Self" Healing & Sealing Technologies
- Synthetic Puncture Resistant Monolithic Protection Barrier
- Self-Expanding Acrylic Impregnated Micro-cell Foam
- High Strength Epoxy Sidewall Adhesive

PACKAGING

Aluminum extrusion in 10-foot lengths shipped on wooden pallets. Accessories packaged in cardboard cartons. LokCrete is supplied in pre-measured Part A, B, C components. Epoxy Adhesive is supplied in Part A&B 1/2-gallon containers.

PRECAUTIONS

LokCrete - Use splash goggles and chemical resistant gloves to avoid prolonged or repeated skin contact. Use with adequate ventilation. In case of eye contact, immediately flush (low pressure) with lukewarm water. In case of skin contact, immediately wash skin with soap and water. Read and follow labels and Material Safety Data Sheet before use.

LIMITATIONS

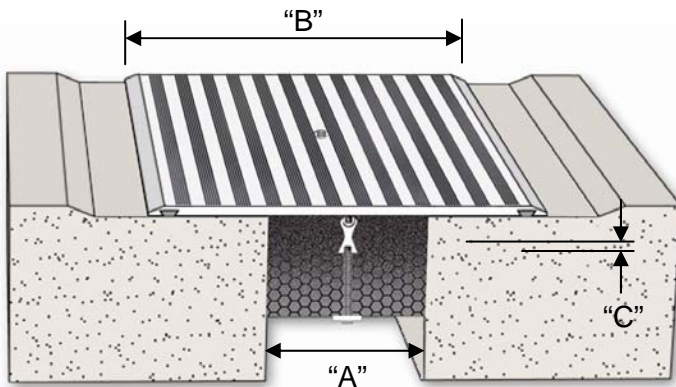
- Concrete blockouts must be properly formed, finished and have sound substrate.
- Joints located in turning lanes or exposed to forklift traffic must be engineered for greater impact loads – contact MM Systems.

MM[®] SHS Series Expansion Joint

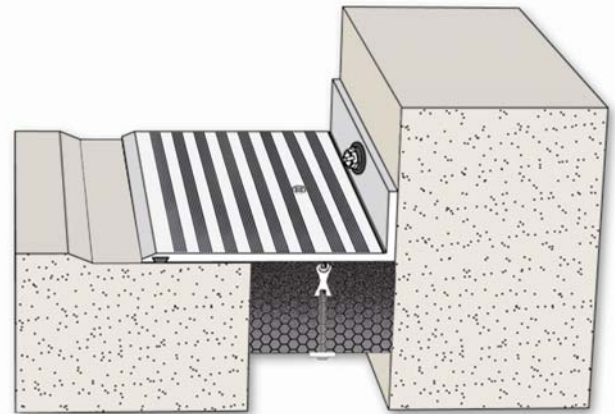
SELECTION GUIDE

Model Number	Total Movement	Joint Opening "A"						Slide Plate "B"	Slide Plate Thickness "C"
		Seismic Min.		Thermal Min.		Nominal			
SHS-300	3.00 76	1.50 38	1.50 38	3.00 76	4.50 114	4.50 114	8.0 203	0.375 10	
SHS-400	4.00 102	2.00 51	2.00 51	4.00 102	6.00 152	6.00 152	8.0 203	0.375 10	
SHS-500	5.00 127	2.50 64	2.50 64	5.00 127	7.50 191	7.50 191	11.0 279	0.375 10	
SHS-600	6.00 152	3.00 76	3.00 76	6.00 152	9.00 229	9.00 229	11.0 279	0.375 10	
SHS-700	7.00 178	3.50 89	3.50 89	7.00 178	10.5 267	10.5 267	14.0 356	0.375 10	
SHS-800	8.00 203	4.00 102	4.00 102	8.00 203	12.0 305	12.0 305	14.0 356	0.375 10	

Dimensions are shown in **inches** (bold) and millimeters. See web site for SHS-C Slab-to-Wall Movement Table. Contact MM Systems for additional sizes, stainless steel covers and project specific designs



SHS Series (Slab-to-Slab)



SHS-C Series (Slab-to-Wall)

LIMITED WARRANTY

MM Systems warrants the Self-Healing Seismic Sealing System to be free of defects in material and conform to technical data listed. We make no warranty as to color or appearance. Since methods of application can affect performance and on site conditions are beyond our control, MM Systems makes no other warranty, expressed or implied, including warranties of MERCHANTABILITY AND FITNESS FOR A PARTICULAR PURPOSE. MM Systems sole obligation shall be, at its option, to replace, or to refund the purchase price of the quantity of system proved to be defective. In no event shall MM Systems be liable for any special, incidental, consequential, loss of profits or punitive damages. Other warranties may be available when installed by a MM Certified Contractor.

INSTALLATION

- 1) Remove and repair all unsound concrete in and around the breakout. All spalls must be repaired with compatible patching material.
- 2) Prepare substrate by sandblasting. The breakout must be clean and dry prior to installation if optional LokCrete Elastomeric Concrete is used as a leveling pad.
- 3) Clean and prepare sidewalls of the seal and joint opening interface per the installation instructions.
- 4) Apply a thin layer of the two-component epoxy adhesive to the sides of the seal, sidewall of the center spline (enough to fill the ribs) and to the sidewalls of the expansion joint opening.
- 5) Install seismic assembly per installation guideline.
- 6) Insert Seismic Rotation Dowel and attach leveling devices.
- 7) Release factory precompressed seal to expand and fill opening.
- 8) Install Slide Plate and torque hardware per the SHS Installation Guideline.
- 9) Refer to the SHS Installation Guideline for detailed step-by-step instructions.

MM Systems reserves the right to amend or withdraw information contained herein, without notice, and will not be liable for any inaccuracy or ambiguity of said information.

Current Issue 12-30-10



50 MM Way, Pendergrass, GA 30567 • 866.506.6929 • www.mm-usa.com

Spec Data