



# MM<sup>®</sup> DIH Series Expansion Joint

## Dual Interlocking Hinge Seismic System

### DESCRIPTION

The DIH Series is designed for expansion joint openings with the ability to provide a smooth and virtually impact-free transition between opposing floor surfaces in addition to accommodating heavy rolling loads and multi-directional seismic movement. The dual interlocking center slide plates are hinged to allow the system to remain flush with finished floor surface. The interlocking slide plate assembly utilizes three rubber anti-vibration dampers to eliminate any metal-to-metal noise and to resist the infiltration of liquids. The optional rubber gutter in conjunction with optional LokCrete<sup>®</sup> Elastomeric Concrete infill enhances the system's waterproofing capability.

### BASIC USE

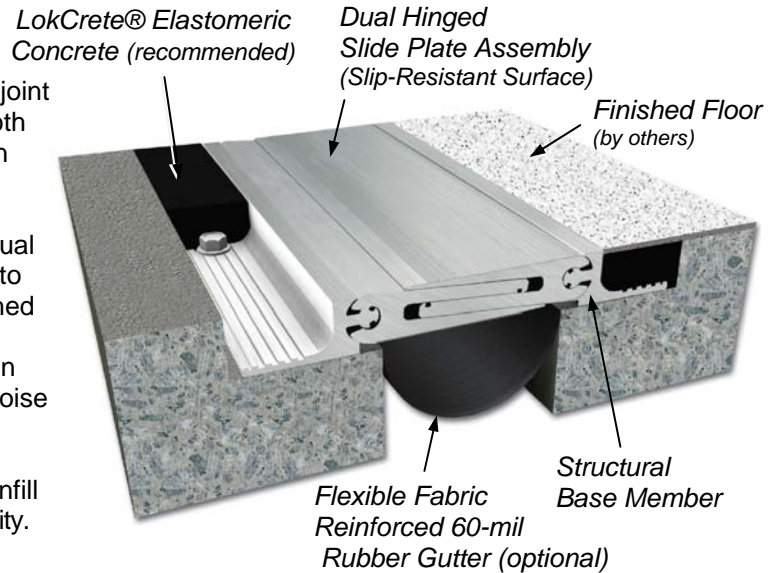
DIH is a traffic bearing expansion joint for high concentrated load service conditions exposed to fork trucks, money carts, luggage carts, pallet trucks, and gurneys in climate controlled environments such as airports, hospitals, casinos, convention centers, stadium luxury suites and other structures requiring seismic movement capability.

### FEATURES

- Interlocking dual slide plate assembly provides flush floor-to-floor transition.
- Six-way multi-directional seismic movement capability.
- Pedestrian friendly and ADA compliant.
- Provides flush no-bump transition for sensitive equipment and hospital gurneys.
- Accommodates Forklifts and Fork Trucks with solid or pneumatic tires.
- Resistant to rolling loads and surface wear.
- Heavy-duty aluminum base frame with interlocking design insures proper alignment.
- Durable fabric reinforced rubber gutter provides added moisture protection (optional).

### SPECIAL FEATURES

- Load Rating Analysis – contact MM Systems for licensed PE load capacity reports related to pneumatic, solid rubber and plastic tires.
- LokCrete<sup>®</sup> - hard, elastic, abrasion resistant embed material that flexes with deck loads.
- Fire Barriers - MM expansion joint systems available with 2 to 4 hour fire protection ratings.



### STORAGE

LokCrete (recommended but optional) should be stored in a dry location 60-80°F (15-27°C).

Pyro-Flex Fire Barriers (when specified) materials should be stored in a completely dry location prior to use and must be kept dry before, during and after installation.

### PACKAGING

Aluminum extrusion in 10-foot lengths shipped on wooden pallets. LokCrete is supplied in pre-measured Part A, B and C components. Fire barriers packaged on wooden pallets or in cardboard cartons. Hardware and other accessories packaged in cardboard cartons.

### PRECAUTIONS

LokCrete<sup>®</sup> - Use splash goggles and chemical resistant gloves to avoid prolonged or repeated skin contact. Use with adequate ventilation. In case of eye contact, immediately flush (low pressure) with lukewarm water. In case of skin contact, immediately wash skin with soap and water. Read and follow labels and Material Safety Data Sheet before use.

### LIMITATIONS

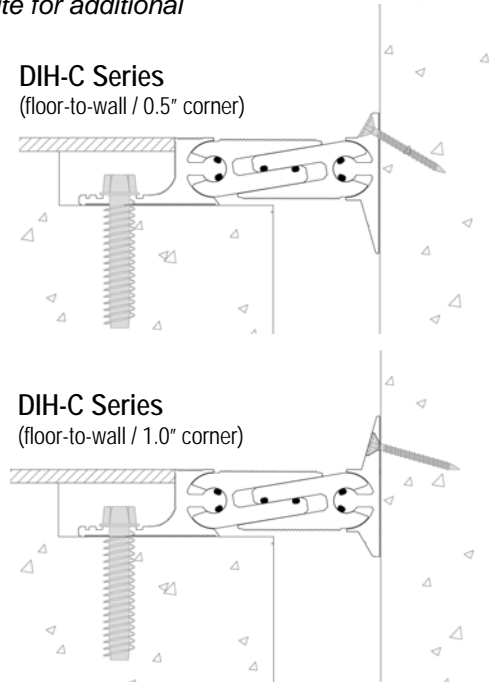
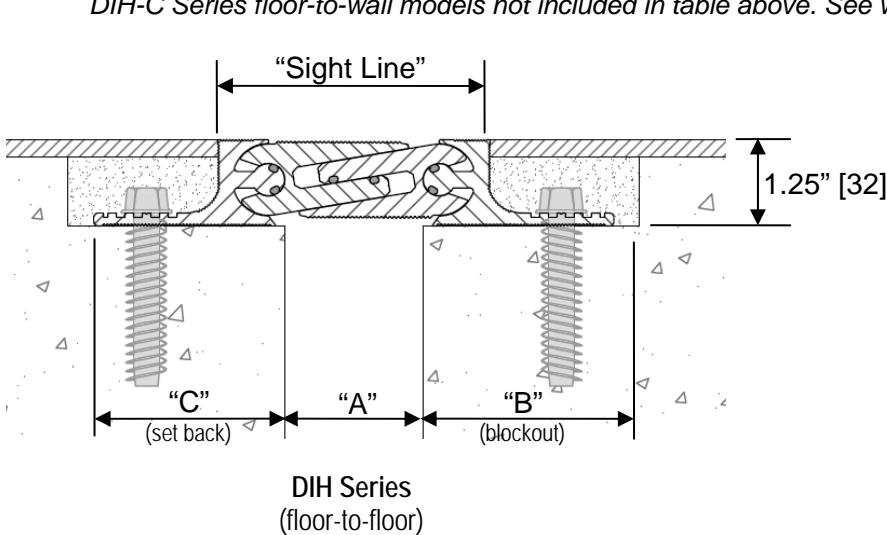
- Concrete blockouts must be properly formed and finished to exact elevations with sound substrate.
- Engineered for climate controlled interior building applications.
- Adjacent construction must have fire-resistive ratings equal to or greater than the rating of the fire barrier systems.

# MM<sup>®</sup> DIH Series Expansion Joint

## MOVEMENT GUIDE

Model Number	Total Movement	Joint Opening "A"				Sight Line (Nominal)	Blockout Width "B"	Set Back "C"
		Minimum	Nominal	Maximum				
<b>DIH-200</b>	<b>0.750</b> 19	<b>1.625</b> 41	<b>2.00</b> 52	<b>2.375</b> 60	<b>4.0000</b> 102	<b>3.125</b> 76	<b>2.750</b> 70	
<b>DIH-300</b>	<b>1.375</b> 35	<b>2.250</b> 57	<b>3.00</b> 76	<b>3.625</b> 92	<b>6.6875</b> 170	<b>4.000</b> 102	<b>3.625</b> 92	
<b>DIH-400</b>	<b>1.375</b> 35	<b>3.250</b> 83	<b>4.00</b> 102	<b>4.625</b> 117	<b>6.6875</b> 170	<b>3.500</b> 89	<b>3.125</b> 79	
<b>DIH-500</b>	<b>2.250</b> 57	<b>3.875</b> 98	<b>5.00</b> 127	<b>6.125</b> 156	<b>8.7500</b> 222	<b>4.000</b> 102	<b>3.625</b> 92	
<b>DIH-600</b>	<b>2.250</b> 57	<b>4.875</b> 124	<b>6.00</b> 152	<b>7.125</b> 181	<b>8.7500</b> 222	<b>3.500</b> 89	<b>3.125</b> 79	

Dimensions are shown in **inches** (bold) and millimeters. Contact MM Systems for additional sizes. DIH-C Series floor-to-wall models not included in table above. See web site for additional



## LIMITED WARRANTY

MM Systems warrants the MM Dual Interlocking Hinged Seismic Slide Plate System to be free of defects in material and conform to technical data listed. We make no warranty as to color or appearance. Since methods of application can affect performance and on site conditions are beyond our control, MM Systems makes no other warranty, expressed or implied, including warranties of MERCHANTABILITY AND FITNESS FOR A PARTICULAR PURPOSE. MM Systems sole obligation shall be, at its option, to replace, or to refund the purchase price of the quantity of system proved to be defective. In no event shall MM Systems be liable for any special, incidental, consequential, loss of profits or punitive damages. Other warranties may be available when installed by a MM Certified Contractor.

## INSTALLATION

- 1) Remove and repair all unsound concrete in and around the blockout. All spalls must be repaired with compatible patching material.
- 2) Prepare substrate by blasting. The blockout must be clean and dry prior to installation of optional LokCrete Elastomeric Concrete (optional blockout filler).
- 3) Use DIH assembly as template to mark and drill anchor holes.
- 4) Place DIH assembly into blockout cavity. Stagger components according to instructions. Level to match finished floor surface.
- 5) Secure base member with wedge bolts.
- 6) Mask-off top of floor parallel with edge of blockout and top of aluminum base member.
- 7) Backfill blockout with infill material (LokCrete recommended) up to the height of the base member or to accommodate finished flooring.
- 8) Refer to the DIH Installation Guideline for detailed step-by-step instructions.

MM Systems reserves the right to amend or withdraw information contained herein, without notice, and will not be liable for any inaccuracy or ambiguity of said information.

Current Issue 01-15-13



# Spec Data