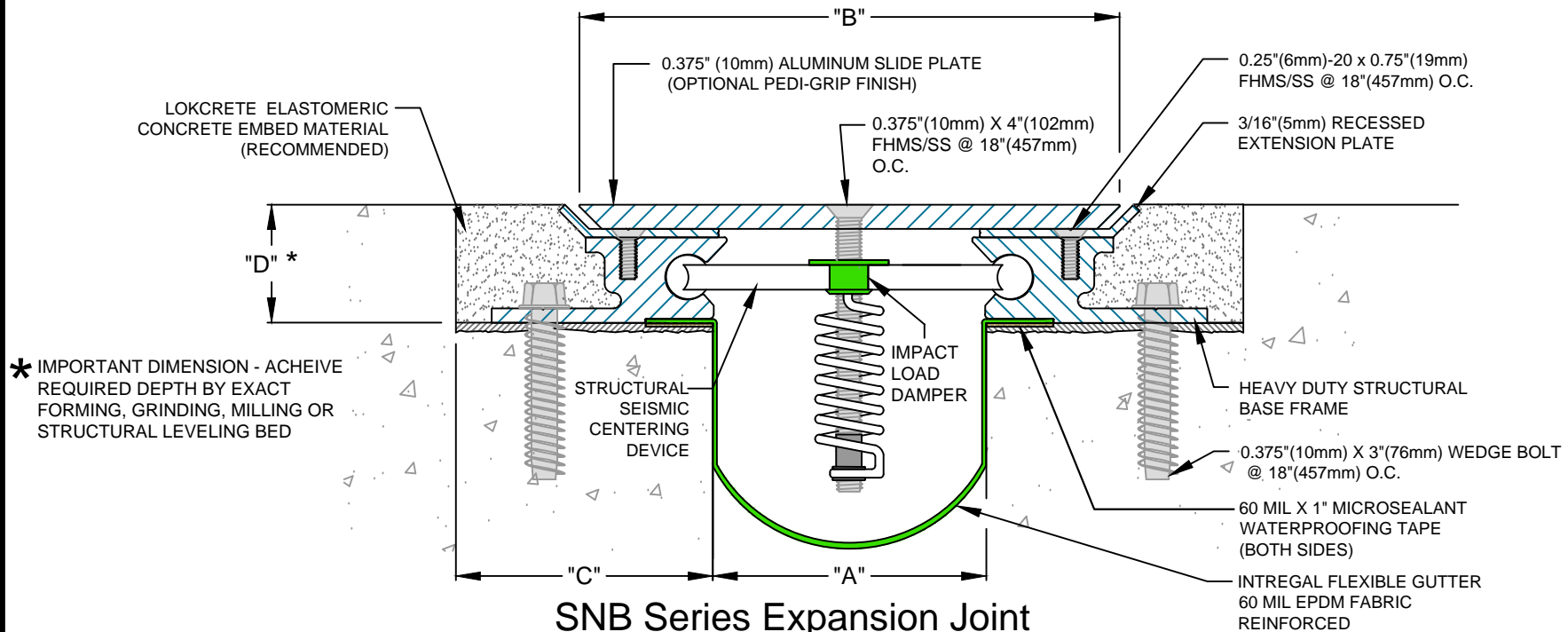


Model Number	Siesmic Movement		Thermal Movement		Joint Opening "A"						Slide Plate Thickness	Slide Plate "B"	Blockout "C"	Blockout Depth "D"								
					Seismic Min.	Thermal Min.	Nominal	Thermal Max.	Seismic Max.													
SNB-200	<b>3.5</b>	89	<b>0.75</b>	19	<b>1.00</b>	25	<b>1.625</b>	41	<b>2.0</b>	51	<b>2.375</b>	60	<b>4.6</b>	117	<b>0.375</b>	10	<b>5.900</b>	150	<b>3.75</b>	95	<b>1.75</b>	44
SNB-400	<b>5.0</b>	127	<b>0.75</b>	19	<b>1.00</b>	25	<b>3.625</b>	92	<b>4.0</b>	102	<b>4.375</b>	111	<b>6.0</b>	152	<b>0.375</b>	10	<b>7.9375</b>	202	<b>3.75</b>	95	<b>1.75</b>	44
SNB-600	<b>8.0</b>	203	<b>0.75</b>	19	<b>1.00</b>	25	<b>5.625</b>	143	<b>6.0</b>	152	<b>6.375</b>	162	<b>9.0</b>	229	<b>0.375</b>	10	<b>10.625</b>	270	<b>3.75</b>	95	<b>1.75</b>	44
SNB-800	<b>11.0</b>	279	<b>0.75</b>	19	<b>1.00</b>	25	<b>7.625</b>	194	<b>8.0</b>	203	<b>8.375</b>	213	<b>12.0</b>	305	<b>0.375</b>	10	<b>13.625</b>	346	<b>3.75</b>	95	<b>1.75</b>	44
SNB-1000	<b>14.0</b>	356	<b>0.75</b>	19	<b>1.00</b>	25	<b>9.625</b>	244	<b>10.0</b>	254	<b>10.375</b>	264	<b>15.0</b>	381	<b>0.375</b>	10	<b>16.625</b>	422	<b>4.125</b>	105	<b>1.75</b>	44
SNB-1200	<b>17.0</b>	432	<b>0.75</b>	19	<b>1.00</b>	25	<b>11.625</b>	295	<b>12.0</b>	305	<b>12.375</b>	314	<b>18.0</b>	457	<b>0.375</b>	10	<b>19.625</b>	498	<b>4.75</b>	121	<b>1.75</b>	48

Dimension shown in **inches** (bold) and millimeters. Contact MM Systems for larger size systems.



**SNB Series Expansion Joint**  
(SLAB-TO-SLAB)

**ONLY FOR USE IN INTERIOR CLIMATE CONTROLLED ENVIRONMENTS.**



**MM**  
MM SYSTEMS

50 MM WAY  
PENDERGRASS, GA. 30567  
PHONE: 706-824-7500  
866-506-6929  
FAX: 706-824-7501

[www.mm-usa.com](http://www.mm-usa.com)

For Spec-Data, Installation Guides, or movement requirements, contact MMSC

**RIGHTS OF DESIGN**

All rights of design, detail, engineering and/or invention contained herein are the property of MM Systems Corporation and hereby reserved and are not to be reproduced or provided to any other party. MM Systems Corporation reserves the right to amend or withdraw any information contained herein without notice and will not be liable for any inaccuracy or ambiguity of said information.

**Seismic No Bump Expansion Joint**

**SNB Series**

Drawn by:  
NDG

SHT. 1 OF 1

Scale:  
NTS

Issue Date:  
06-27-2013

Drawing Number:

**31375-01**