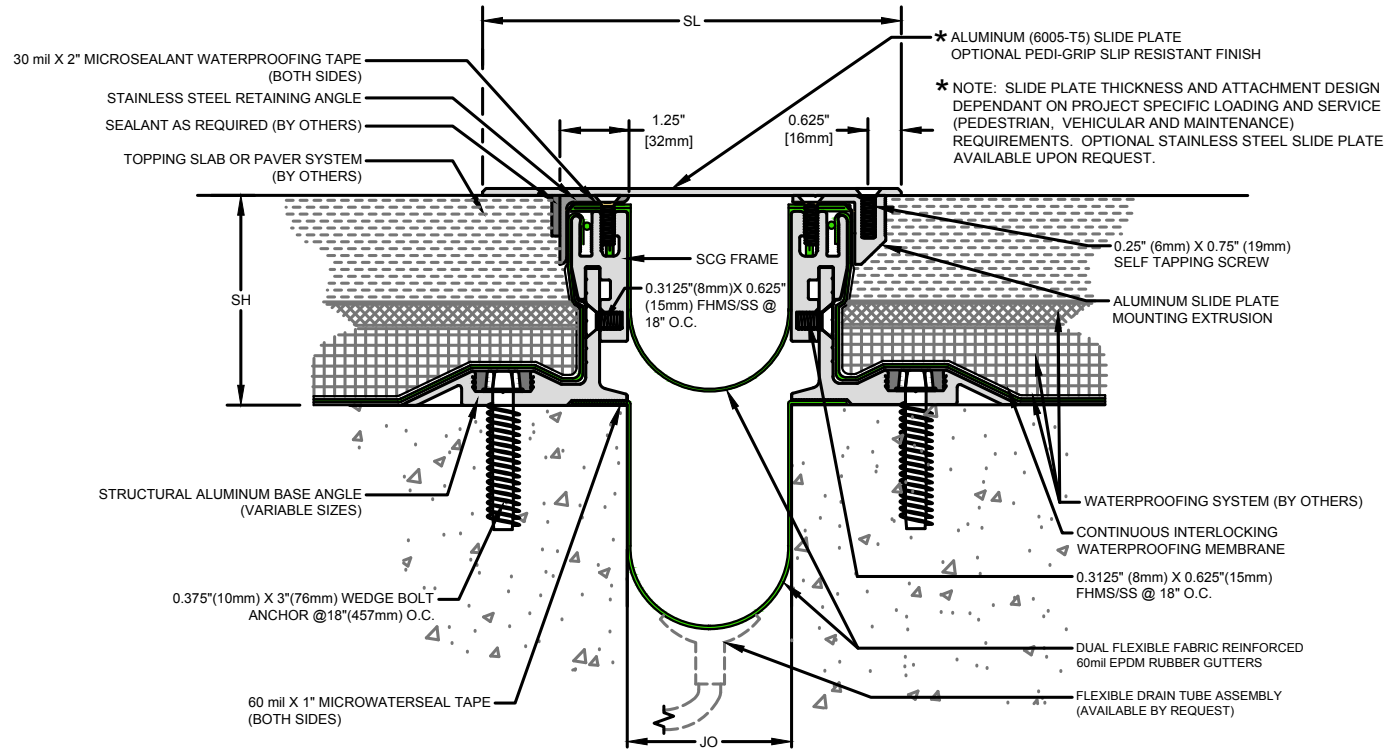


Model Number	Nominal (JO <sub>s</sub> )		Nominal (SL <sub>s</sub> )		Thermal Movement (JO <sub>r</sub> )		Seismic Movement (JO <sub>s</sub> )		Total (JO <sub>s</sub> )		Cover Width					
	Minimum	Maximum	Minimum	Maximum	Minimum	Maximum	Minimum	Maximum	Minimum	Maximum	Minimum	Maximum				
SCG-600	<b>6.00</b>	152	<b>13.00</b>	330	<b>1.00</b>	25	<b>9.00</b>	229	<b>0.25</b>	6	<b>9.00</b>	229	<b>8.75</b>	222	<b>13.00</b>	330
SCG-800	<b>8.00</b>	203	<b>16.00</b>	406	<b>1.00</b>	25	<b>12.00</b>	305	<b>0.25</b>	6	<b>12.00</b>	305	<b>11.75</b>	298	<b>16.00</b>	406
SCG-1000	<b>10.00</b>	254	<b>19.00</b>	483	<b>1.00</b>	25	<b>15.00</b>	381	<b>0.25</b>	6	<b>15.00</b>	381	<b>14.75</b>	375	<b>19.00</b>	483
SCG-1200	<b>12.00</b>	305	<b>22.00</b>	559	<b>1.00</b>	25	<b>18.00</b>	457	<b>0.25</b>	6	<b>18.00</b>	457	<b>17.75</b>	451	<b>22.00</b>	559

Dimension shown in inches (bold) and millimeters. JO = Joint Opening. SL = Slight Line. Color Options for rubber seals are Black or Special Order Gray. Waterproofing Membrane Compatibility - confirm with membrane manufacturer grade of rubber to be used on waterproofing splice flap.



**SCG Series Expansion Joint**  
(Slab-to-Slab)

Base Angle Size	System Height (SH)
4 x 1.75	3.00 76
4 x 2	3.25 83
4 x 2.25	3.5 89
4 x 2.5	3.75 95
4 x 2.75	4 102
4 x 3	4.25 108
4 x 3.25	4.5 114
4 x 3.5	4.75 121
4 x 3.75	5 127
4 x 4	5.25 133
4 x 4.25	5.5 140
4 x 4.5	5.75 146
4 x 4.75	6 152

See Detail 41275-03 for Low Profile.



50 MM WAY  
PENDERGRASS, GA. 30567  
706-824-7500 PHONE  
800-241-3460 TOLL FREE  
706-834-7501 FAX

[www.mm-usa.com](http://www.mm-usa.com)

For Spec-Data, Install Guides and other data visit [www.mm-usa.com](http://www.mm-usa.com).

**RIGHTS OF DESIGN**

All rights of design, detail, engineering and/or invention contained herein are the property of MM Systems Corporation and hereby reserved and are not to be reproduced or provided to any other party. MM Systems Corporation reserves the right to amend or withdraw any information contained herein without notice and will not be liable for any inaccuracy or ambiguity of said information.

**Split Slab Covered Gutter Expansion Joint**  
**SCG Series with Aluminum Base Angles**

Drawn by: DMW	Scale: NTS	Drawing Number: <b>41275-01</b>
SHT. 1 OF 1	Issue Date: 08-02-2016	