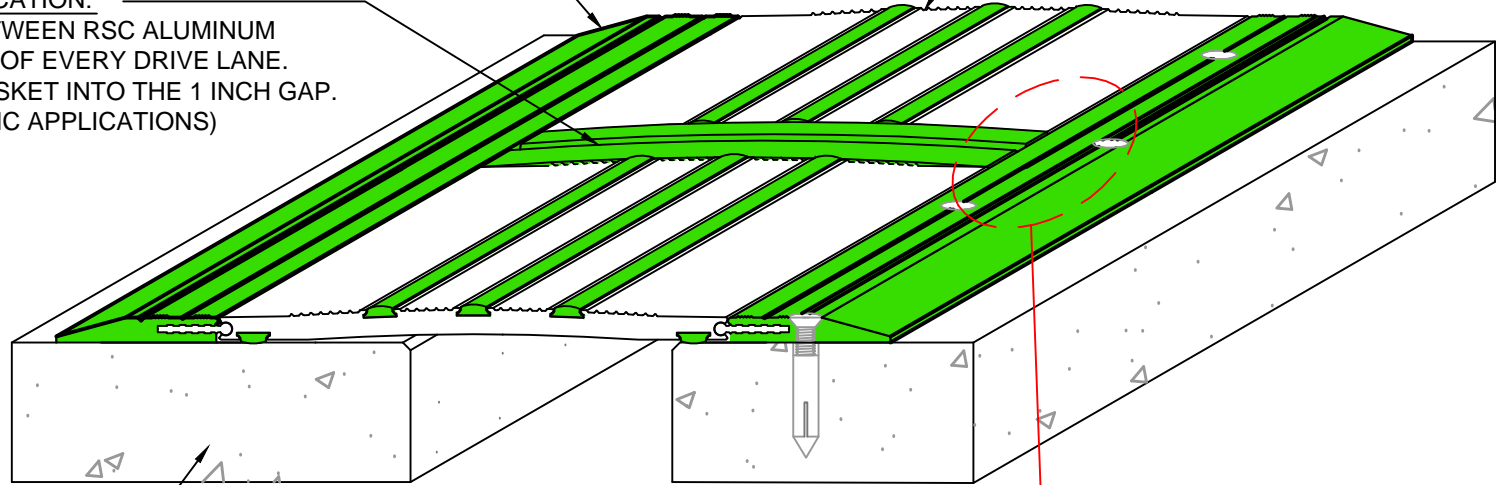


RUBBER SAFETY COVER
(RSC-SERIES EXPANSION JOINT)

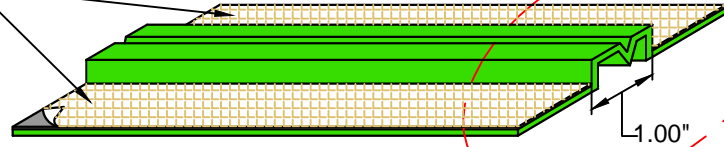
BUTT RSC AGAINST WALL OR COLUMN FACE
AT EACH END OF JOINT RUN.

EXPANSION GASKET LOCATION:
LOCATE 1 INCH GAP BETWEEN RSC ALUMINUM
COVERS IN THE MIDDLE OF EVERY DRIVE LANE.
INSTALL EXPANSION GASKET INTO THE 1 INCH GAP.
(FOR VEHICULAR TRAFFIC APPLICATIONS)

STRUCTURAL DECK



NOTE: REMOVE RELEASE LINER AND
ADHERE EXPANSION GASKET FLAP
TO UNDERSIDE OF RSC COVER BY
FIRMLY PRESSING THE FLAP AGAINST
THE ALUMINUM PLATE.
(MICROSEALANT WATERPROOFING TAPE
APPLIED IN FACTORY)



EXPANSION GASKET
(FOR VEHICULAR TRAFFIC ONLY)



MM
MM SYSTEMS

50 MM WAY
PENDERGRASS, GA. 30567
PHONE: 706-824-7500
866-506-6929
FAX: 706-824-7501

www.mm-usa.com

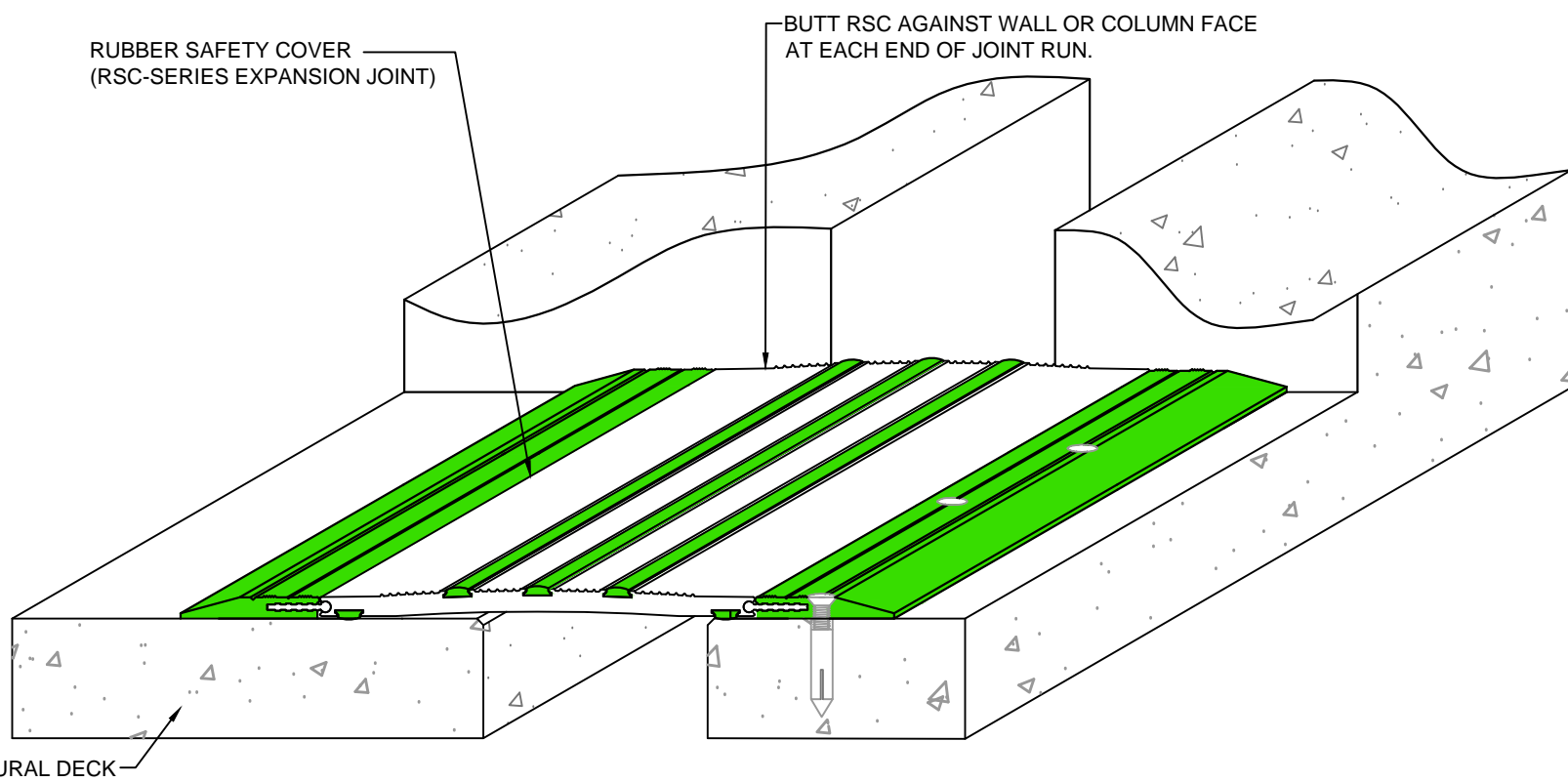
For Spec-Data, Installation Guides, or movement requirements, contact MMSC

RIGHTS OF DESIGN

All rights of design, detail, engineering and/or invention contained herein are the property of MM Systems Corporation and hereby reserved and are not to be reproduced or provided to any other party. MM Systems Corporation reserves the right to amend or withdraw any information contained herein without notice and will not be liable for any inaccuracy or ambiguity of said information.

Rubber Safety Cover Expansion Joint
RSC Drive Lane Expansion Gasket

Drawn by: DMW	Scale: NTS	Drawing Number: 31701-01
SHT. 1 OF 2	Issue Date: 07-18-2012	



**COLUMN/WALL END TERMINATION
(FOR VEHICULAR TRAFFIC)**

NOTE: DRIVE LANE RUBBER EXPANSION GASKET MUST BE USED IN CONJUNCTION WITH THIS TERMINATION DETAIL. SEE DRAWING 31702-01



MM
MM SYSTEMS

50 MM WAY
PENDERGRASS, GA. 30567
PHONE: 706-824-7500
866-506-6929
FAX: 706-824-7501

www.mm-usa.com

For Spec-Data, Installation Guides, or movement requirements, contact MMSC

RIGHTS OF DESIGN

All rights of design, detail, engineering and/or invention contained herein are the property of MM Systems Corporation and hereby reserved and are not to be reproduced or provided to any other party. MM Systems Corporation reserves the right to amend or withdraw any information contained herein without notice and will not be liable for any inaccuracy or ambiguity of said information.

**Rubber Safety Cover Expansion Joint
RSC Column/Wall End Termination**

Drawn by: DMW	Scale: NTS	Drawing Number: 31701-01
SHT. 2 OF 2	Issue Date: 07-18-2012	