

NOTE: PUSH LMS SEAL INTO EIF BLOCK COMPRESSING  
IT FROM 2.00" DOWN TO 1.00"  
(SEE DRAWING 30101-15b)



50 MM WAY  
PENDERGRASS, GA. 30567  
706-824-7500 PHONE  
800-241-3460 TOLL FREE  
706-824-7501 FAX

[www.mm-usa.com](http://www.mm-usa.com)

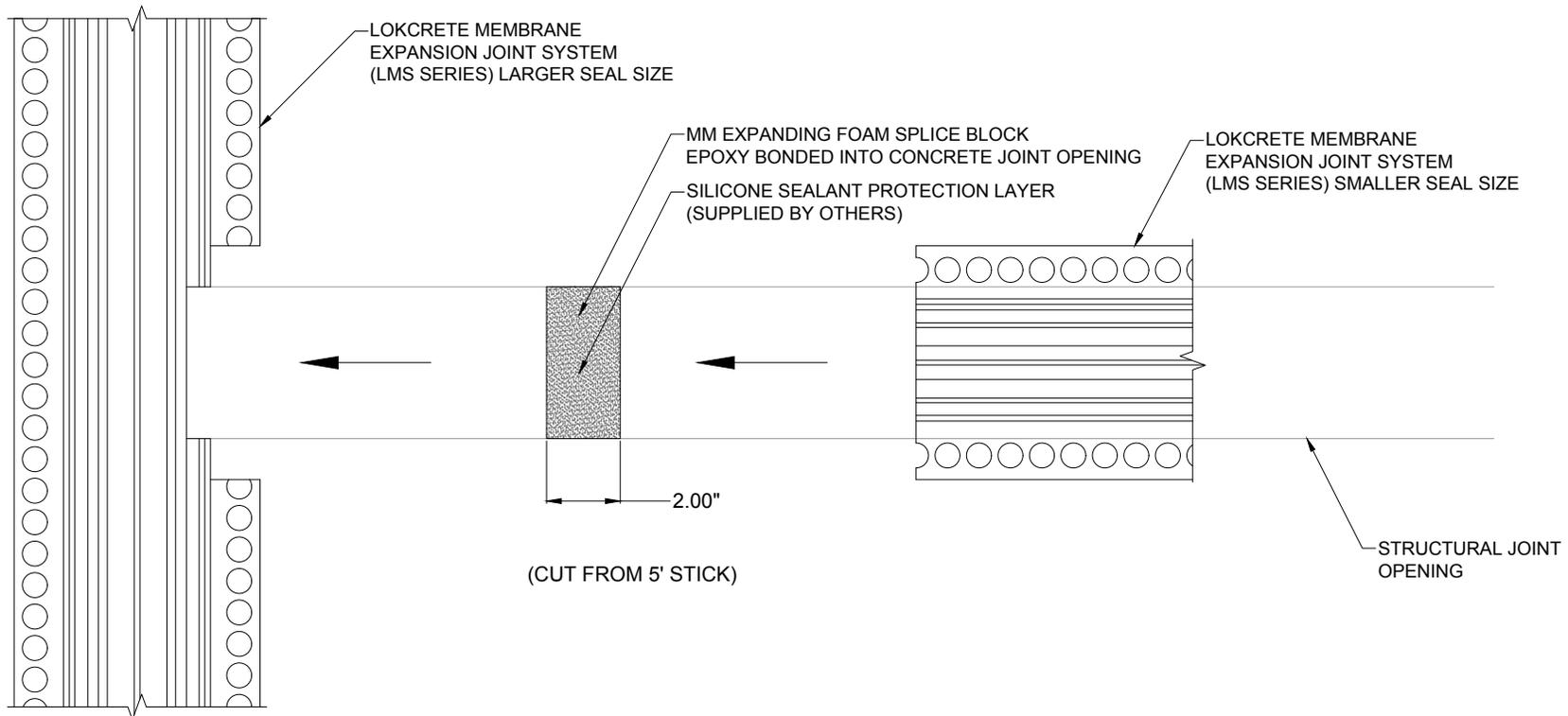
For Spec-Data, Install Guides and other data visit [www.mm-usa.com](http://www.mm-usa.com).

#### RIGHTS OF DESIGN

All rights of design, detail, engineering and/or invention contained herein are the property of MM Systems Corporation and hereby reserved and are not to be reproduced or provided to any other party. MM Systems Corporation reserves the right to amend or withdraw any information contained herein without notice and will not be liable for any inaccuracy or ambiguity of said information.

### LokCrete Membrane System Expansion Joint LMS Dissimilar Size Seal "Tee" Transition

Drawn by: DMW	Scale: NTS	Drawing Number:  <b>30101-15a</b>
SHT. 1 OF 2	Issue Date: 12-28-2017	



### STEP 1

### STEP 2

### STEP 3

NOTE: INSTALL MICROSEALANT WATERPROOFING TAPE PER INSTRUCTIONS PRIOR TO STEPS 1-3. INSTALL LOKCRETE PER INSTRUCTIONS IMMEDIATELY AFTER STEPS 1-3.

1. STEP 1 - NOTCH OUT LMS (LARGER SEAL SIZE) REMOVING WING/FLAP AND C-LOK BULKHEAD. INSERT SEAL INTO CONCRETE BLOCKOUT.
2. STEP 2 - INSERT MM EXPANDING FOAM SPLICE BLOCK INTO THE STRUCTURAL OPENING. EPOXY BOND THE SIDEWALLS OF THE FOAM SPLICE BLOCK TO THE SIDEWALLS OF THE CONCRETE JOINT OPENING.
3. STEP 3 - IMMEDIATELY INSTALL THE LMS (SMALLER SEAL SIZE) BY PUSHING IT INTO THE FOAM SPLICE BLOCK THEREBY COMPRESSING IT DOWN TO 1 INCH.



50 MM WAY  
 PENDERGRASS, GA. 30567  
 706-824-7500 PHONE  
 800-241-3460 TOLL FREE  
 706-824-7501 FAX

[www.mm-usa.com](http://www.mm-usa.com)

For Spec-Data, Install Guides and other data visit [www.mm-usa.com](http://www.mm-usa.com).

#### RIGHTS OF DESIGN

All rights of design, detail, engineering and/or invention contained herein are the property of MM Systems Corporation and hereby reserved and are not to be reproduced or provided to any other party. MM Systems Corporation reserves the right to amend or withdraw any information contained herein without notice and will not be liable for any inaccuracy or ambiguity of said information.

### LokCrete Membrane System Expansion Joint LMS Dissimilar Size Seal "Tee" Assembly

Drawn by: DMW	Scale: NTS	Drawing Number:  <b>30101-15b</b>
SHT. 2 OF 2	Issue Date: 12-28-2017	