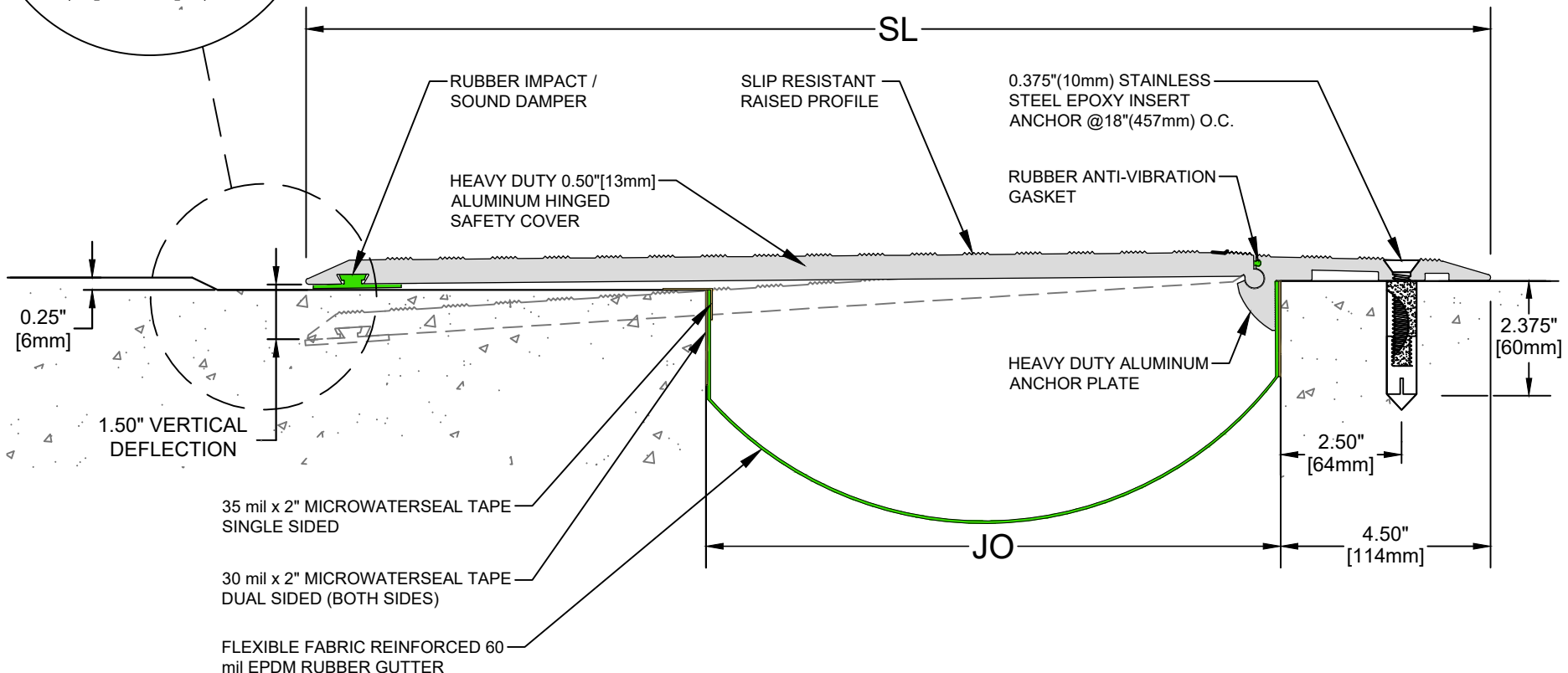
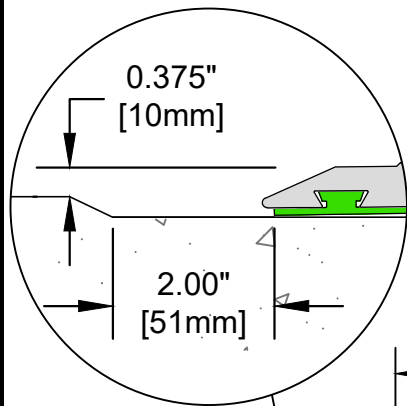


Model Number	Nominal (JO _N)		Nominal (SL _N)		Thermal Movement (JO _T)		Seismic Movement (JO _S)		Total (JO _Δ)					
	Minimum	Maximum	Minimum	Maximum	Minimum	Maximum	Minimum	Maximum	Minimum	Maximum				
HSC-1200	12.00	305	24.75	629	10.00	254	14.00	356	1.00	25	18.00	457	17.00	432

Dimension shown in inches (bold) and millimeters. JO = Joint Opening, SL = Sight Line. Color Options for rubber seals are Black or Special Order Gray.



HSC-1200 Expansion Joint (Slab-to-Slab)



50 MM WAY
PENDERGRASS, GA. 30567
706-824-7500 PHONE
866-506-6929 TOLL FREE
706-824-7501 FAX

www.mm-usa.com

For Spec-Data, Install Guides and other data visit www.mm-usa.com.

RIGHTS OF DESIGN

All rights of design, detail, engineering and/or invention contained herein are the property of MM Systems and hereby reserved and are not to be reproduced or provided to any other party. MM Systems reserves the right to amend or withdraw any information contained herein without notice and will not be liable for any inaccuracy or ambiguity of said information.

Hinged Safety Cover Expansion Joint HSC-1200 Series

Drawn by:
MVP

Scale:
NTS

Drawing Number:

SHT. 1 OF 1

Issue Date:
08/19/2020

30900-11