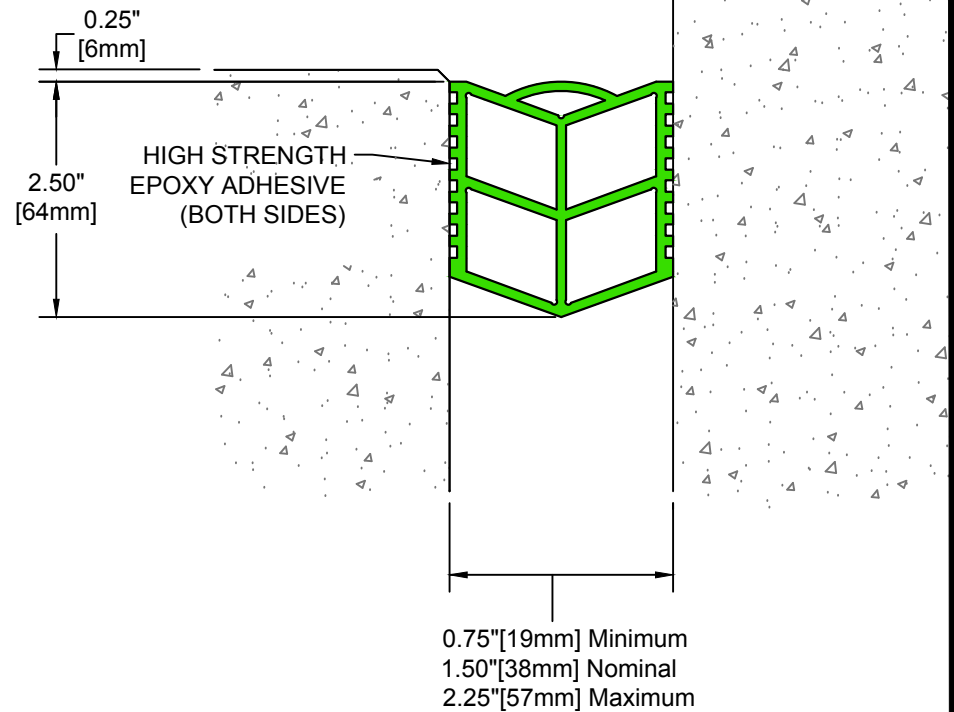


Slab-to-Slab



Slab-to-Wall

EBS-150 Series Expansion Joint



50 MM WAY
PENDERGRASS, GA. 30567
706-824-7500 PHONE
800-241-3460 TOLL FREE
706-824-7501 FAX

www.mm-usa.com

For Spec-Data, Install Guides and other data visit www.mm-usa.com.

RIGHTS OF DESIGN

All rights of design, detail, engineering and/or invention contained herein are the property of MM Systems Corporation and hereby reserved and are not to be reproduced or provided to any other party. MM Systems Corporation reserves the right to amend or withdraw any information contained herein without notice and will not be liable for any inaccuracy or ambiguity of said information.

Epoxy Bonded Sealing System

EBS-150 Series

Drawn by:

DMW

Scale:

NTS

Drawing Number:

30300-03

SHT. 1 OF 1

Issue Date:

03-10-2016