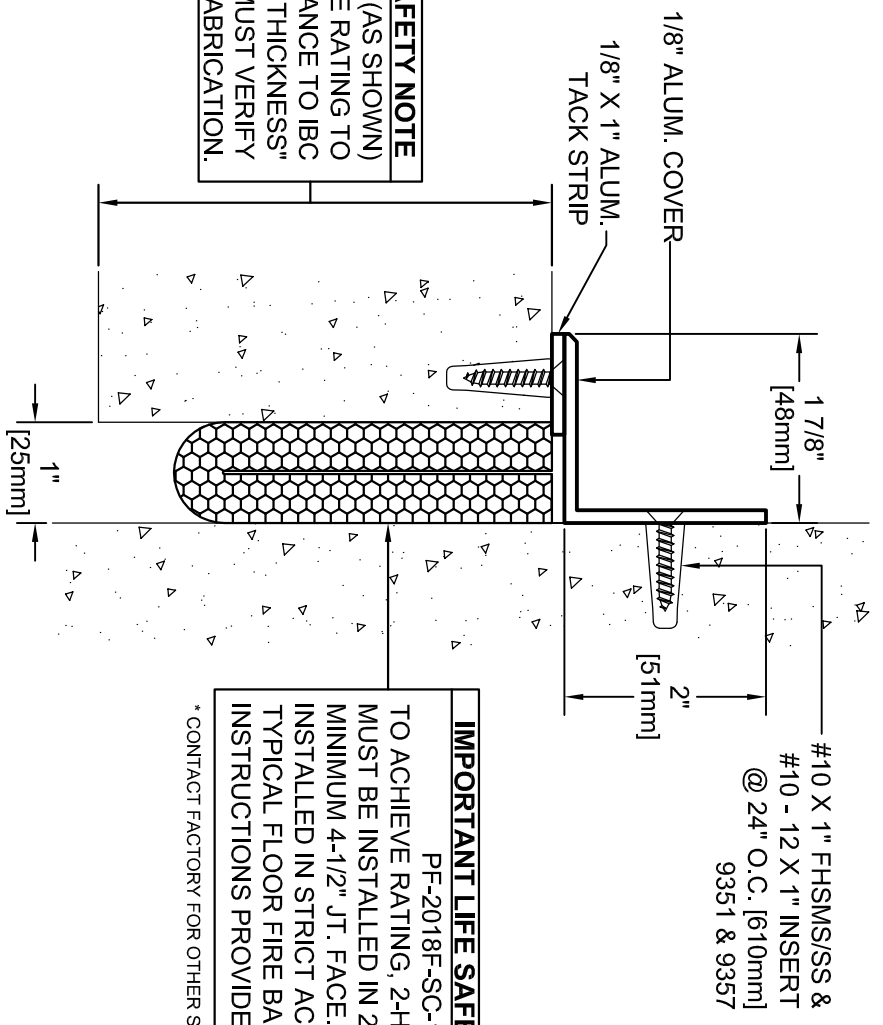


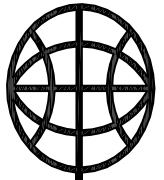
IMPORTANT LIFE SAFETY NOTE
 4-1/2" MINIMUM FACE OF SLAB (AS SHOWN) REQUIRED FOR OPTIONAL FIRE RATING TO BE AVAILABLE IN ACCORDANCE TO IBC TABLE 721.2.2.1 "MINIMUM SLAB THICKNESS" ARCHITECT / CONTRACTOR MUST VERIFY PRIOR TO FABRICATION.



IMPORTANT LIFE SAFETY PRODUCT NOTE
 PF-2018F-SC-1-1
 TO ACHIEVE RATING, 2-HOUR FIRE BARRIER MUST BE INSTALLED IN 2-HOUR RATED SLAB, MINIMUM 4-1/2" JT. FACE. BARRIERS MUST BE INSTALLED IN STRICT ACCORDANCE WITH TYPICAL FLOOR FIRE BARRIER INSTALLATION INSTRUCTIONS PROVIDED IN THIS SUBMITTAL.
 * CONTRACT FACTORY FOR OTHER STYLES OF FIRE BARRIER

Model	Nominal "JT"	Joint Opening "JT"		Total Movement	Mat. Code
SPE-1-1_FPF	1"	Seismic Min. 0.875"	Thermal Min. 0.875"	Seismic Max. 1.75"	SM2002

Representative: _____ Customer: _____ Project: _____ Location: _____ Project Number: _____



MM
 MM SYSTEMS

50 MM WAY
 PENDERGRASS, GA. 30567
 PHONE: 706-824-7500
 800-241-3460
 FAX: 706-824-7501

www.mmssystemscorp.com

For Spec-Data, Installation Guides, or movement requirements, contact MMISC

RIGHTS OF DESIGN

All rights of design, detail, engineering and/or invention contained herein are the property of MM Systems Corporation and hereby reserved and are not to be reproduced or provided to any other party. MM Systems Corporation reserves the right to amend or withdraw any information contained herein without notice and will not be liable for any inaccuracy or ambiguity of said information.

SPE-1-1_FPF

Model: _____
 Drawn by: LMP
 Scale: NTS
 SHT. OF . Issue Date: 02-03-10
 Drawing Number: **SM2002**