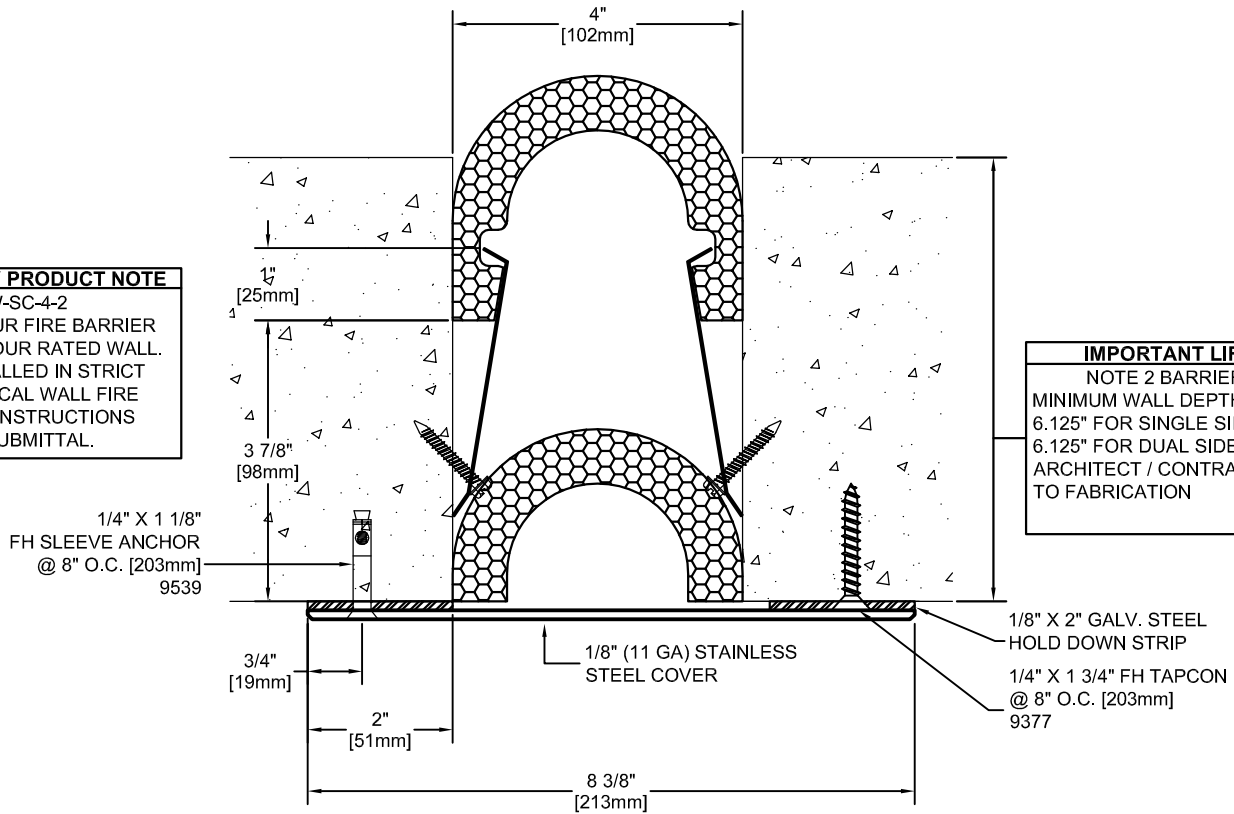



IMPORTANT LIFE SAFETY PRODUCT NOTE
 PF-2018CW-SC-4-2
 TO ACHIEVE RATING, 2-HOUR FIRE BARRIER MUST BE INSTALLED IN 2-HOUR RATED WALL. BARRIERS MUST BE INSTALLED IN STRICT ACCORDANCE WITH TYPICAL WALL FIRE BARRIER INSTALLATION INSTRUCTIONS PROVIDED IN THIS SUBMITTAL.



IMPORTANT LIFE SAFETY NOTE
 NOTE 2 BARRIERS REQUIRED.
 MINIMUM WALL DEPTH REQUIRED FOR RATING:
 6.125" FOR SINGLE SIDE INSTALLATION (SHOWN)
 6.125" FOR DUAL SIDE INSTALLATION
 ARCHITECT / CONTRACTOR MUST VERIFY PRIOR TO FABRICATION

Model	Nominal "JT"	Joint Opening "JT"				Total Movement	Mat. Code
		Seismic Min.	Thermal Min.	Thermal Max.	Seismic Max.		
SS-SP-4-2 CONC_WPF	4"	0.75"	3"	5"	6"	5.25"	

Representative:	Customer:	Project:	Location:	Project Number:
 MM MM SYSTEMS 50 MM WAY PENDERGRASS, GA. 30567 PHONE: 706-824-7500 800-241-3460 FAX: 706-824-7501 www.mmsystemscorp.com		RIGHTS OF DESIGN All rights of design, detail, engineering and/or invention contained herein are the property of MM Systems Corporation and hereby reserved and are not to be reproduced or provided to any other party. MM Systems Corporation reserves the right to amend or withdraw any information contained herein without notice and will not be liable for any inaccuracy or ambiguity of said information.		SS-SP-4-2 CONC_WPF Model: Drawn by: LMP Scale: NTS Issue Date: 04-22-13 Drawing Number:
For Spec-Data, Installation Guides, or movement requirements, contact MMSC		SHT. . OF .		