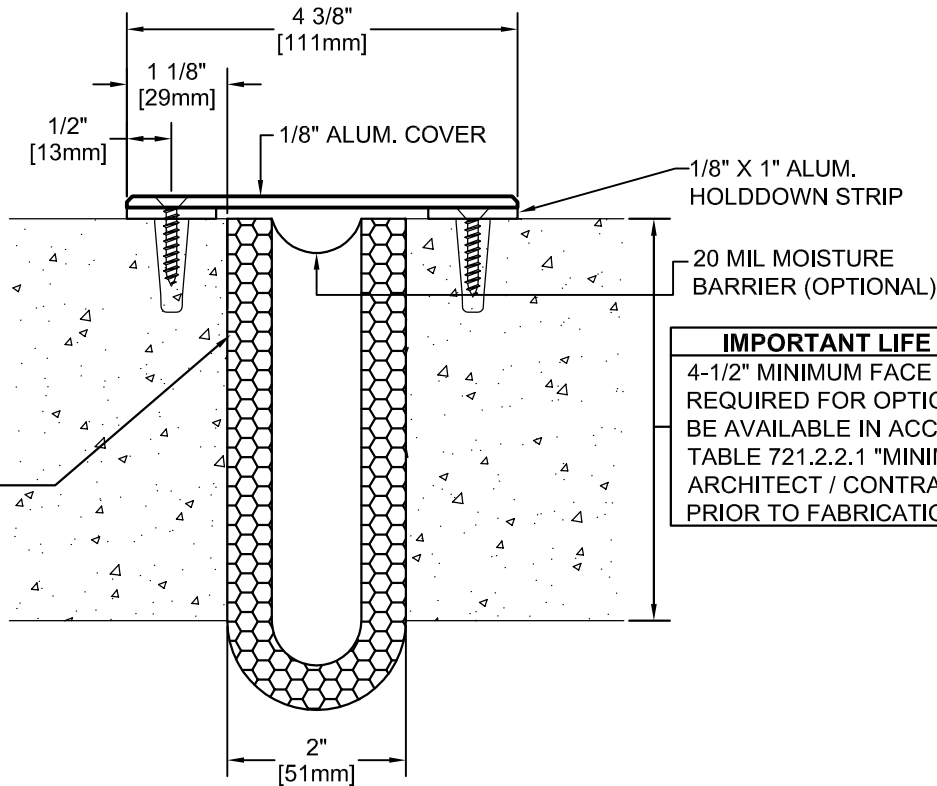


#10 X 1" FHSMS/SS & INSERT
@ 24" O.C. [610mm]
9351, 9357



IMPORTANT LIFE SAFETY PRODUCT NOTE

PF-2018F-SC-2-1
TO ACHIEVE RATING, 2-HOUR FIRE BARRIER
MUST BE INSTALLED IN 2-HOUR RATED SLAB,
MINIMUM 4-1/2" JT. FACE. BARRIERS MUST BE
INSTALLED IN STRICT ACCORDANCE WITH
TYPICAL FLOOR FIRE BARRIER INSTALLATION
INSTRUCTIONS PROVIDED IN THIS SUBMITTAL.


* CONTACT FACTORY FOR OTHER STYLES OF FIRE BARRIER

IMPORTANT LIFE SAFETY NOTE

4-1/2" MINIMUM FACE OF SLAB (AS SHOWN)
REQUIRED FOR OPTIONAL FIRE RATING TO
BE AVAILABLE IN ACCORDANCE TO IBC
TABLE 721.2.2.1 "MINIMUM SLAB THICKNESS"
ARCHITECT / CONTRACTOR MUST VERIFY
PRIOR TO FABRICATION.

Model	Nominal "JT"	Joint Opening "JT"				Total Movement	Mat. Code
		Seismic Min.	Thermal Min.	Thermal Max.	Seismic Max.		
SP-2-1_FPF	2"	0.875"	1.5"	2.5"	3"	2.125"	SM1925

Representative:	Customer:	Project:	Location:	Project Number:
-----------------	-----------	----------	-----------	-----------------



MM
MM SYSTEMS
50 MM WAY
PENDERGRASS, GA. 30567
PHONE: 706-824-7500
800-241-3460
FAX: 706-824-7501
www.mmsystemscorp.com
For Spec-Data, Installation Guides, or movement requirements, contact MMSC

RIGHTS OF DESIGN
All rights of design, detail, engineering and/or invention contained herein are the property of MM Systems Corporation and hereby reserved and are not to be reproduced or provided to any other party. MM Systems Corporation reserves the right to amend or withdraw any information contained herein without notice and will not be liable for any inaccuracy or ambiguity of said information.

SP-2-1_FPF

Model:
Drawn by: LMP
Scale: NTS
Issue Date: 03-06-13
Drawing Number: **SM1925**

SHT. . OF .