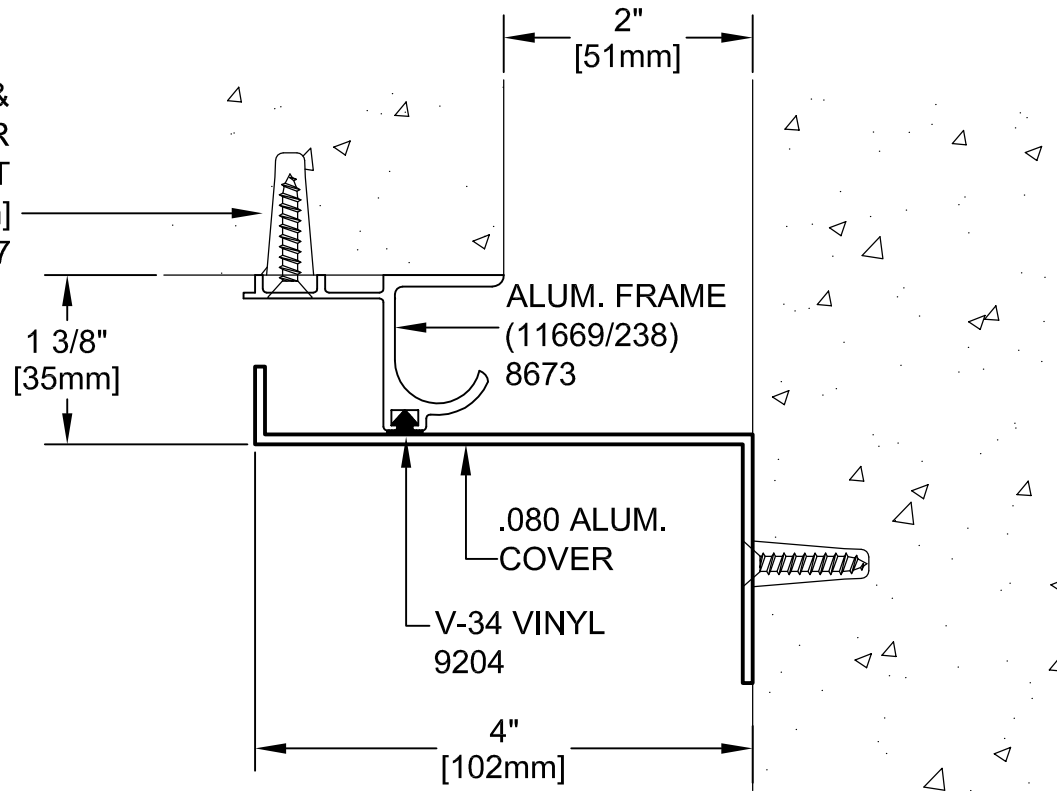


#10 X 1" FHSMS/SS &
 #10 12 X 1" ANCHOR
 PLASTIC INSERT
 @ 24" O.C. [610mm]
 9351 & 9357



Model	Nominal "JT"	Joint Opening "JT"				Total Movement	Mat. Code
		Seismic Min.	Thermal Min.	Thermal Max.	Seismic Max.		
ASKL-2-1_CONC (INTERIOR)	2"	0.0	1.75"	2.25"	3.875"	3.875"	SW1503

USE WITH ASK-2-2

Representative:	Customer:	Project:	Location:	Project Number:
-----------------	-----------	----------	-----------	-----------------

MM
 MM SYSTEMS
 50 MM WAY
 PENDERGRASS, GA. 30567
 PHONE: 706-824-7500
 800-241-3460
 FAX: 706-824-7501
www.mmsystemscorp.com

For Spec-Data, Installation Guides, or movement requirements, contact MMSC

RIGHTS OF DESIGN
 All rights of design, detail, engineering and/or invention contained herein are the property of MM Systems Corporation and hereby reserved and are not to be reproduced or provided to any other party. MM Systems Corporation reserves the right to amend or withdraw any information contained herein without notice and will not be liable for any inaccuracy or ambiguity of said information.

ASKL-2-1_CONC

Model: ASKL-2-1_CONC

Drawn by: LMP	Scale: NTS	Drawing Number: SW1503
SHT. . OF .	Issue Date: 11-06-13	