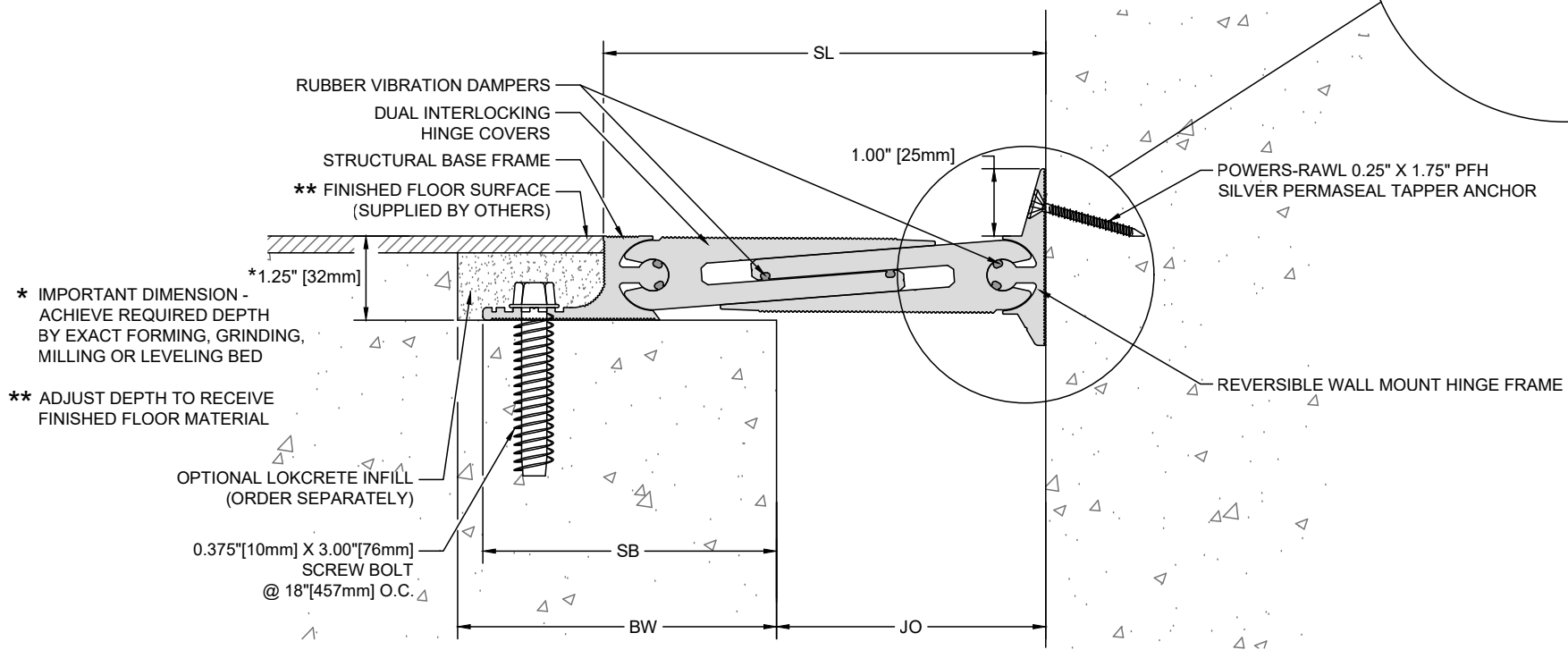
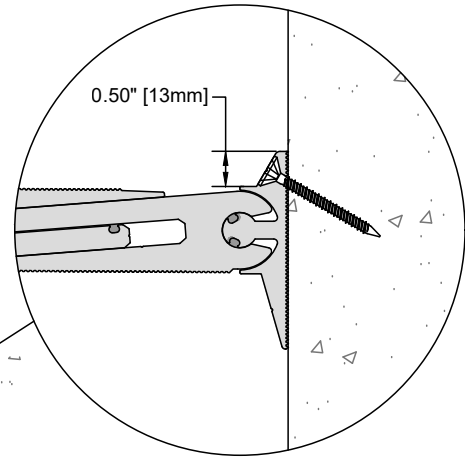



Model Number	Nominal (JO _N)		Nominal (SL _N)		Thermal Movement (JO _T)		Seismic Movement (JO _S)		Total (JO _T)		Blockout Width (BW)		Set Back (SB)					
	Minimum	Maximum	Minimum	Maximum	Minimum	Maximum	Minimum	Maximum	Minimum	Maximum	Minimum	Maximum	Minimum	Maximum				
DIH-C-200	2.00	51	3.875	98	1.625	41	2.375	60	1.625	41	2.50	64	0.875	22	4.000	102	3.625	92
DIH-C-300	3.00	76	6.500	165	2.250	57	3.625	92	2.250	57	4.50	114	2.250	57	5.625	143	5.250	133
DIH-C-400	4.00	102	6.500	165	3.25	83	4.625	117	3.25	83	5.50	140	2.25	57	4.625	117	4.250	108
DIH-C-500	5.00	152	8.500	216	3.875	124	6.125	181	3.875	124	7.50	190	3.625	92	5.625	143	5.250	133
DIH-C-600	6.00	152	8.500	216	4.875	124	7.125	181	4.875	124	8.50	216	3.625	92	4.625	117	4.250	108

Dimension shown in inches (bold) and millimeters. JO = Joint Opening, SL = Sight Line. Color Options for rubber seals are Black or Special Order Gray.



DIH-C Expansion Joint
(Floor-to-Wall)



50 MM WAY
PENDERGRASS, GA. 30567
706-824-7500 PHONE
866-506-6929 TOLL FREE
706-824-7501 FAX

www.mm-usa.com

For Spec-Data, Install Guides, and other data visit www.mm-usa.com.

RIGHTS OF DESIGN

All rights of design, detail, engineering and/or invention contained herein are the property of MM Systems Corporation and hereby reserved and are not to be reproduced or provided to any other party. MM Systems Corporation reserves the right to amend or withdraw any information contained herein without notice and will not be liable for any inaccuracy or ambiguity of said information.

Dual Interlocking Hinge Expansion Joint
DIH-C Series

Drawn by: DMW	Scale: NTS	Drawing Number: 30950-02
Sheet 1 of 1	Issue Date: 01-29-2019	