

**DIH-C-600 Expansion Joint**  
(Floor-to-Wall / 1" Corner)

SEE DRAWING 30950-10 SHEET 2 OF 2 FOR 0.50" LEG HEIGHT



50 MM WAY  
 PENDERGRASS, GA. 30567  
 706-824-7500 PHONE  
 866-506-6929 TOLL FREE  
 706-824-7501 FAX

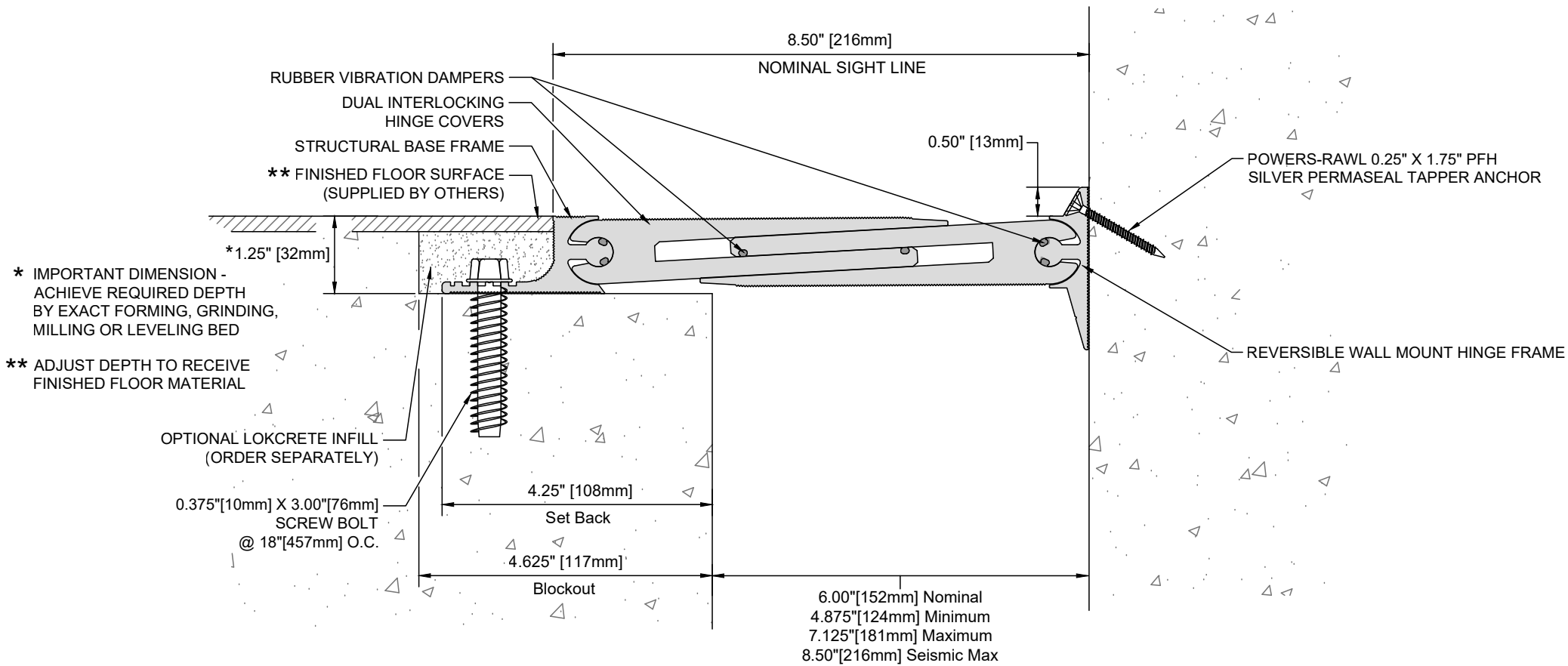
[www.mm-usa.com](http://www.mm-usa.com)

**RIGHTS OF DESIGN**

All rights of design, detail, engineering and/or invention contained herein are the property of MM Systems Corporation and hereby reserved and are not to be reproduced or provided to any other party. MM Systems Corporation reserves the right to amend or withdraw any information contained herein without notice and will not be liable for any inaccuracy or ambiguity of said information.

**Dual Interlocking Hinge Expansion Joint**  
**DIH-C-600 Series 1.00" Wall Mount**

Drawn by: DMW	Scale: NTS	Drawing Number:  <b>30950-12</b>
Sheet 1 of 2	Issue Date: 01-29-2019	



**DIH-C-600 Expansion Joint**  
(Floor-to-Wall / 0.50" Corner)

SEE DRAWING 30950-10 SHEET 1 OF 2 FOR 1.00" LEG HEIGHT



50 MM WAY  
PENDERGRASS, GA. 30567  
706-824-7500 PHONE  
866-506-6929 TOLL FREE  
706-824-7501 FAX

[www.mm-usa.com](http://www.mm-usa.com)

For Spec-Data, Install Guides, and other data visit [www.mm-usa.com](http://www.mm-usa.com).

**RIGHTS OF DESIGN**

All rights of design, detail, engineering and/or invention contained herein are the property of MM Systems Corporation and hereby reserved and are not to be reproduced or provided to any other party. MM Systems Corporation reserves the right to amend or withdraw any information contained herein without notice and will not be liable for any inaccuracy or ambiguity of said information.

**Dual Interlocking Hinge Expansion Joint**  
**DIH-C-600 Series 0.50" Wall Mount**

Drawn by: DMW	Scale: NTS	Drawing Number:  <b>30950-12</b>
Sheet 2 of 2	Issue Date: 01-29-2019	