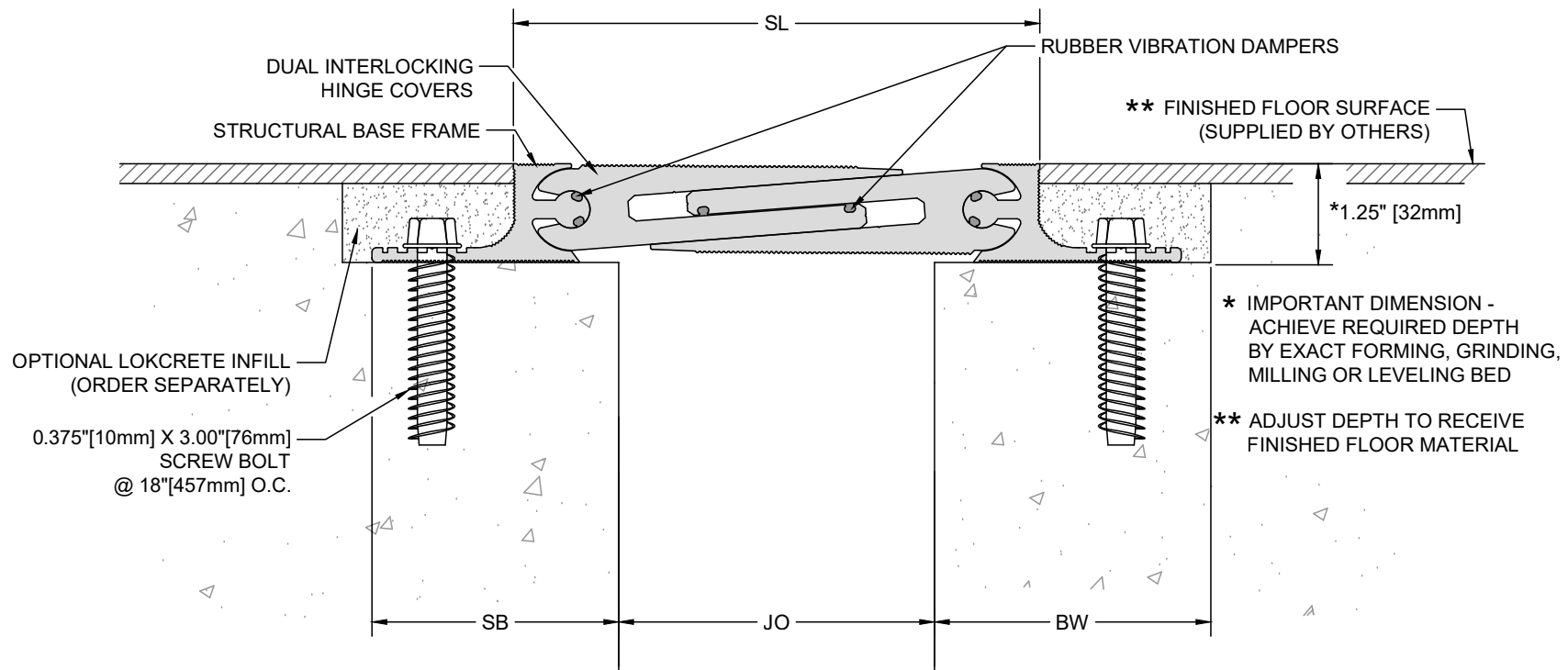


Model Number	Nominal (JO <sub>N</sub> )		Nominal (SL <sub>N</sub> )		Thermal Movement (JO <sub>T</sub> )				Seismic Movement (JO <sub>S</sub> )				Total (JO <sub>Δ</sub> )		Blockout Width (BW)		Set Back (SB)	
	Minimum	Maximum	Minimum	Maximum	Minimum	Maximum	Minimum	Maximum	Minimum	Maximum	Minimum	Maximum	Minimum	Maximum	Minimum	Maximum	Minimum	Maximum
DIH-200	<b>2.00</b>	51	<b>4.0000</b>	102	<b>1.625</b>	41	<b>2.375</b>	60	<b>1.625</b>	41	<b>2.50</b>	64	<b>0.875</b>	22	<b>3.125</b>	79	<b>2.750</b>	70
DIH-300	<b>3.00</b>	76	<b>6.6875</b>	170	<b>2.250</b>	57	<b>3.625</b>	92	<b>2.250</b>	57	<b>4.50</b>	114	<b>2.250</b>	57	<b>4.000</b>	102	<b>3.625</b>	92
DIH-400	<b>4.00</b>	102	<b>6.6875</b>	170	<b>3.25</b>	83	<b>4.625</b>	117	<b>3.25</b>	83	<b>5.50</b>	140	<b>2.25</b>	57	<b>3.500</b>	89	<b>3.125</b>	79
DIH-500	<b>5.00</b>	152	<b>8.7500</b>	222	<b>3.875</b>	124	<b>6.125</b>	181	<b>3.875</b>	124	<b>7.50</b>	190	<b>3.625</b>	92	<b>4.000</b>	102	<b>3.625</b>	92
DIH-600	<b>6.00</b>	152	<b>8.7500</b>	222	<b>4.875</b>	124	<b>7.125</b>	181	<b>4.875</b>	124	<b>8.50</b>	216	<b>3.625</b>	92	<b>3.500</b>	89	<b>3.125</b>	79

Dimension shown in inches (bold) and millimeters. JO = Joint Opening. SL = Sight Line. Color Options for rubber seals are Black or Special Order Gray.



DIH Series Expansion Joint  
(Floor-to-Floor)



50 MM WAY  
PENDERGRASS, GA. 30567  
706-824-7500 PHONE  
866-506-6929 TOLL FREE  
706-824-7501 FAX

[www.mm-usa.com](http://www.mm-usa.com)

For Spec-Data, Install Guides, and other data visit [www.mm-usa.com](http://www.mm-usa.com).

#### RIGHTS OF DESIGN

All rights of design, detail, engineering and/or invention contained herein are the property of MM Systems Corporation and hereby reserved and are not to be reproduced or provided to any other party. MM Systems Corporation reserves the right to amend or withdraw any information contained herein without notice and will not be liable for any inaccuracy or ambiguity of said information.

### Dual Interlocking Hinge Expansion Joint DIH Series

Drawn by:  
DMW

Scale:  
NTS

Drawing Number:

Sheet 1 of 1

Issue Date:  
01-29-2019

30950-01