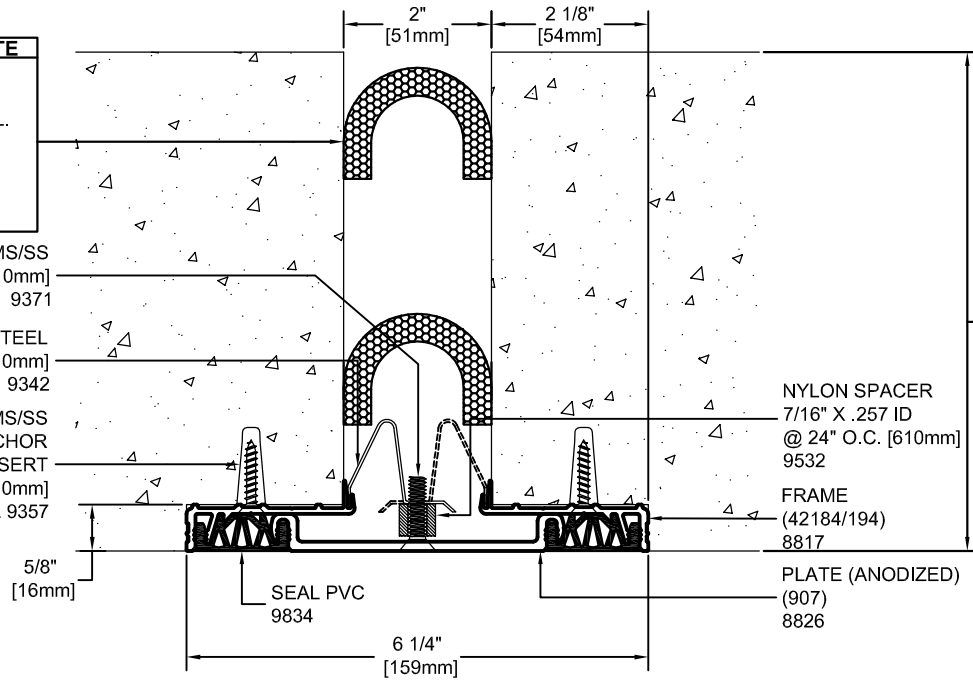


IMPORTANT LIFE SAFETY PRODUCT NOTE

PF-2018CW-SC-2-1
 TO ACHIEVE RATING, 2-HOUR FIRE BARRIER MUST BE INSTALLED IN 2-HOUR RATED WALL. BARRIERS MUST BE INSTALLED IN STRICT ACCORDANCE WITH TYPICAL WALL FIRE BARRIER INSTALLATION INSTRUCTIONS PROVIDED IN THIS SUBMITTAL.

- 1/4" - 20 X 1 1/2" FHMS/SS @ 24" O.C. [610mm] 9371
- S4 CLIP - SPRING STEEL @ 24" O.C. [610mm] 9342
- #10 X 1 1/2" FHSMS/SS #10-12 X 1" ANCHOR PLASTIC INSERT @ 24" O.C. [610mm] 9368 & 9357



IMPORTANT LIFE SAFETY NOTE
 NOTE 2 BARRIERS REQUIRED.
 MINIMUM WALL DEPTH REQUIRED FOR RATING: 6 3/4" FOR SINGLE SIDE INSTALLATION (SHOWN) ARCHITECT / CONTRACTOR MUST VERIFY PRIOR TO FABRICATION

Model	Nominal "JT"	Joint Opening "JT"				Total Movement	Mat. Code
		Seismic Min.	Thermal Min.	Thermal Max.	Seismic Max.		
WD-200_CONC_2HWPF_SS	2"	1.375"	1.625"	1.8125"	2.3125"	0.9375"	FD1502

ARCHITECT/CONTRACTOR NOTE:
 ALL SUBASSEMBLY COMPONENTS TO BE PROVIDED IN 10'-0" OR 20'-0" STOCK LENGTHS UNLESS OTHERWISE NOTED. THE SPECIFIC SYSTEMS DICTATE THE LENGTHS PROVIDED.

Approved by: _____ Date: _____
SEAL NOTE: SPECIFY SEAL COLOR
 STANDARD COLORS:
 CARBON (BLACK) PRAIRIE (BEIGE)
 FOG (GRAY) LUNAR (WHITE)
*CUSTOM COLOR AVAILABLE IN MINIMUM QUANTITIES 100 LF. CONTACT MM FOR PRICING & AVAILABILITY.

Representative: _____ Customer: _____ Project: _____ Location: _____ Project Number: _____



MM
 MM SYSTEMS

50 MM WAY
 PENDERGRASS, GA. 30567
 PHONE: 706-824-7500
 866-50 MM WAY
 866-506-6929
 FAX: 706-824-7501

www.mmsystemscorp.com

For Spec-Data, Installation Guides, or movement requirements, contact MMSC

RIGHTS OF DESIGN

All rights of design, detail, engineering and/or invention contained herein are the property of MM Systems Corporation and hereby reserved and are not to be reproduced or provided to any other party. MM Systems Corporation reserves the right to amend or withdraw any information contained herein without notice and will not be liable for any inaccuracy or ambiguity of said information.

Model: **WD-200_CONC_2HWPF_SS**

Drawn by: LMP Scale: NTS Drawing Number: **FD1502**
 SHT. . OF . Issue Date: 09-26-14