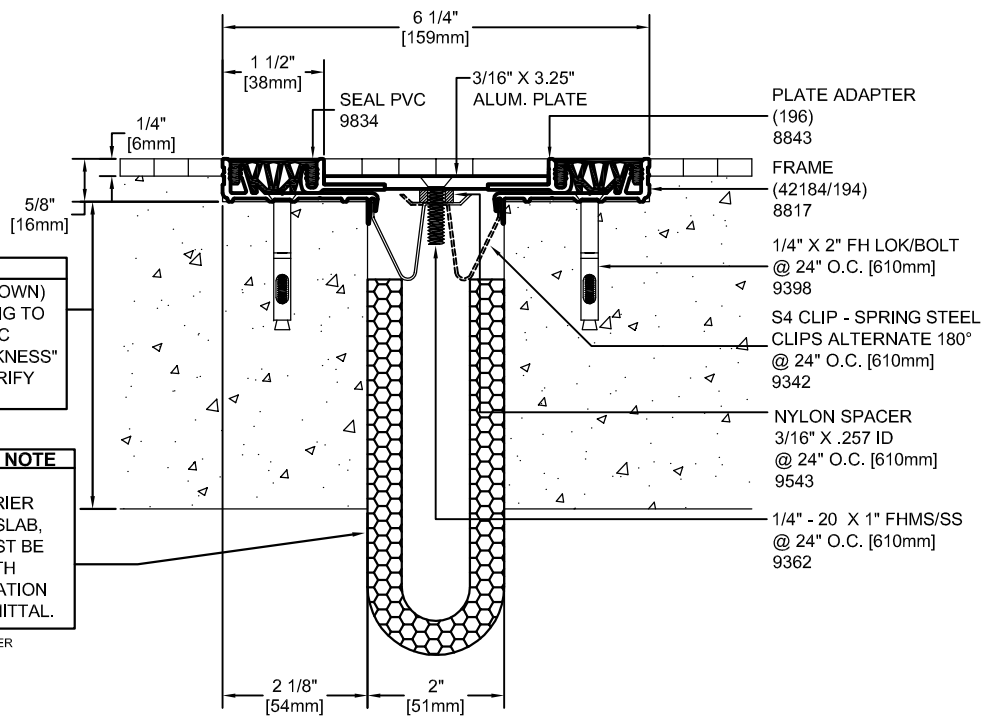


IMPORTANT LIFE SAFETY NOTE
 4-1/2" MINIMUM FACE OF SLAB (AS SHOWN)
 REQUIRED FOR OPTIONAL FIRE RATING TO
 BE AVAILABLE IN ACCORDANCE TO IBC
 TABLE 721.2.2.1 "MINIMUM SLAB THICKNESS"
 ARCHITECT / CONTRACTOR MUST VERIFY
 PRIOR TO FABRICATION.

IMPORTANT LIFE SAFETY PRODUCT NOTE
 PF-2018F-SC-2-1 (OPTIONAL)
 TO ACHIEVE RATING, 2-HOUR FIRE BARRIER
 MUST BE INSTALLED IN 2-HOUR RATED SLAB,
 MINIMUM 4-1/2" JT. FACE. BARRIERS MUST BE
 INSTALLED IN STRICT ACCORDANCE WITH
 TYPICAL FLOOR FIRE BARRIER INSTALLATION
 INSTRUCTIONS PROVIDED IN THIS SUBMITTAL.

* CONTACT FACTORY FOR OTHER STYLES OF FIRE BARRIER



Model	Nominal "JT"	Joint Opening "JT"				Total Movement	Mat. Code
		Seismic Min.	Thermal Min.	Thermal Max.	Seismic Max.		
FDT-200-.25R	2"	1"	1.8125"	2.1875"	3.25**	2.25"	FD1303
FDT-200-.25R w/ PF-2018F-SC-2-1	2"	1"	1.8125"	2.1875"	3**	2"	FD1303

* NOTE THAT SEALS DISENGAGE FROM FRAME AFTER THERMAL MIN AND THERMAL MAX.

ARCHITECT/CONTRACTOR NOTE:
 ALL SUBASSEMBLY COMPONENTS TO BE
 PROVIDED IN 10'-0" OR 20'-0" STOCK LENGTHS
 UNLESS OTHERWISE NOTED. THE SPECIFIC
 SYSTEMS DICTATE THE LENGTHS PROVIDED.

Approved by: _____ Date: _____
SEAL NOTE: SPECIFY SEAL COLOR
 STANDARD COLORS:
 CARBON (BLACK) PRAIRIE (BEIGE)
 FOG (GRAY) LUNAR (WHITE)
*CUSTOM COLOR AVAILABLE IN MINIMUM QUANTITIES 100 LF.
 CONTACT MM FOR PRICING & AVAILABILITY.

Representative:	Customer:	Project:	Location:	Project Number:
-----------------	-----------	----------	-----------	-----------------



MM SYSTEMS
 50 MM WAY
 PENDERGRASS, GA. 30567
 PHONE: 706-824-7500
 800-241-3460
 FAX: 706-824-7501
www.mmsystemscorp.com
 For Spec-Data, Installation Guides, or movement requirements, contact MMSC

RIGHTS OF DESIGN
 All rights of design, detail, engineering and/or invention contained herein are the property of MM Systems Corporation and hereby reserved and are not to be reproduced or provided to any other party. MM Systems Corporation reserves the right to amend or withdraw any information contained herein without notice and will not be liable for any inaccuracy or ambiguity of said information.

FDT-200-.25R

Model:	Scale:	Drawing Number:
Drawn by: LMP	NTS	FD1303
SHT. . OF .	Issue Date: 08-15-11	