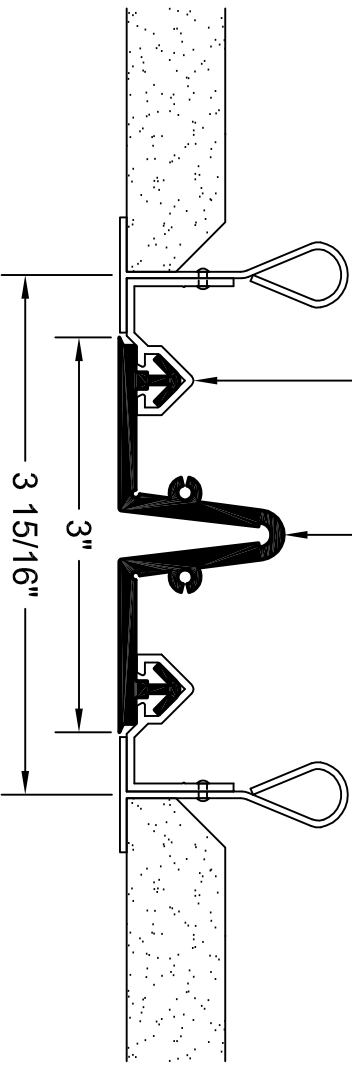


FRAME
(879)
8814

SEAL
(VSS-300)
9823



ARCHITECT/CONTRACTOR NOTE:
ALL SUBASSEMBLY COMPONENTS TO BE PROVIDED IN 10'-0" OR 20'-0" STOCK LENGTHS UNLESS OTHERWISE NOTED. THE SPECIFIC SYSTEMS DICTATE THE LENGTHS PROVIDED.

Representative:

Customer:

Project:

Location:

Project Number:

VSG-300

Approved by: _____ Date: _____

SEAL NOTE: SPECIFY SEAL COLOR

STANDARD COLORS:

CARBON (BLACK) PRAIRIE (BEIGE)

FOG (GRAY) LUNAR (WHITE)

*CUSTOM COLOR AVAILABLE IN MINIMUM QUANTITIES 100 LBS CONTRACT MM FOR PRICING & AVAILABILITY.

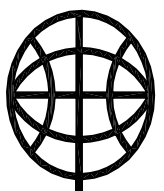
RIGHTS OF DESIGN

All rights of design, detail, engineering and/or invention contained herein are the property of MM Systems Corporation and hereby reserved and are not to be reproduced or provided to any other party. MM Systems Corporation reserves the right to amend or withdraw any information contained herein without notice and will not be liable for any inaccuracy or ambiguity of said information.

VSG-300

Model: _____
Scale: NTS
Drawing Number: _____

Drawn by: _____
SHT. . OF .
Issue Date: 08-09-06



MM

MM SYSTEMS

www.mmssystemscorp.com

50 MM WAY
PENDERGRASS, GA. 30567
PHONE: 706-824-7500
866-50 MM WAY
866-506-6929
FAX: 706-824-7501

For Spec-Data, Installation Guides, or movement requirements, contact MMSC