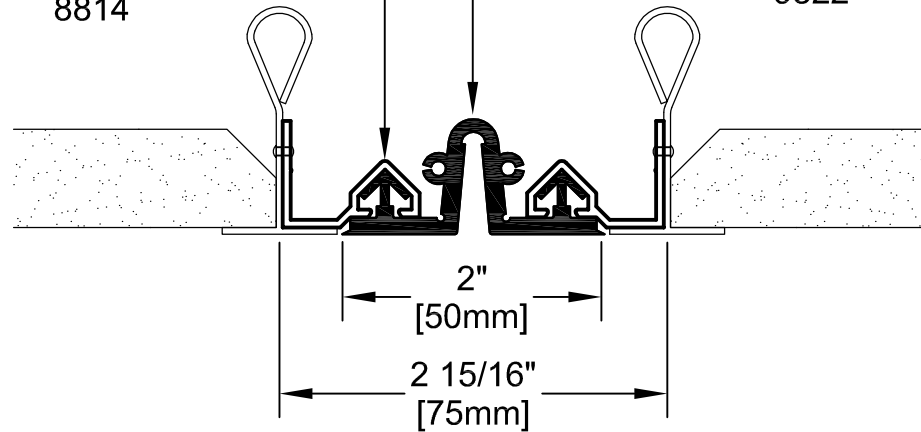


FRAME
(879)
8814

SEAL - FLAT
9822



ARCHITECT/CONTRACTOR NOTE:
ALL SUBASSEMBLY COMPONENTS TO BE PROVIDED IN 10'-0" OR 20'-0" STOCK LENGTHS UNLESS OTHERWISE NOTED. THE SPECIFIC SYSTEMS DICTATE THE LENGTHS PROVIDED.

Model	Nominal "JT"	Joint Opening "JT"				Total Movement	Mat. Code
		Seismic Min.	Thermal Min.	Thermal Max.	Seismic Max.		
VSG-200	2"	1.5"	1.75"	2.25"	3"	1.5"	FW1501

Approved by: _____ Date: _____

SEAL NOTE: SPECIFY SEAL COLOR

STANDARD COLORS:

<input type="checkbox"/> CARBON (BLACK)	<input type="checkbox"/> PRAIRIE (BEIGE)
<input type="checkbox"/> FOG (GRAY)	<input type="checkbox"/> LUNAR (WHITE)

*CUSTOM COLOR AVAILABLE IN MINIMUM QUANTITIES 100 LF. CONTACT MM FOR PRICING & AVAILABILITY.

Representative:	Customer:	Project:	Location:	Project Number:
-----------------	-----------	----------	-----------	-----------------

MM SYSTEMS

50 MM WAY
PENDERGRASS, GA. 30567
PHONE: 706-824-7500
800-241-3460
FAX: 706-824-7501

www.mmsystemscorp.com

For Spec-Data, Installation Guides, or movement requirements, contact MMSC

RIGHTS OF DESIGN

All rights of design, detail, engineering and/or invention contained herein are the property of MM Systems Corporation and hereby reserved and are not to be reproduced or provided to any other party. MM Systems Corporation reserves the right to amend or withdraw any information contained herein without notice and will not be liable for any inaccuracy or ambiguity of said information.

VSG-200

Model:	Scale:	Drawing Number:
Drawn by: LMP	NTS	FW1501
SHT. . OF .	Issue Date: 04-11-12	